

## Series 182P Vacuum Switch/Tamper Resistant

Compact, versatile vacuum switch well suited for hazardous or corrosive atmospheres. For vacuum applications. Features efficient Nega-Rate® Belleville disc spring for stable set points and is field adjustable using 1/8" allen wrench. Once adjustments are made and switch is installed, it becomes tamper proof.

### Operating Pressure Data

Adjustable Range Number	Adjustable Set-Point Range		Deadband (approximate)	Maximum Recommended System Pressure	Proof Pressure
	Increasing Vacuum	Decreasing Vacuum			
2	4 to 28" Hg	2 to 26" Hg	2" Hg	150	250

All values given in psig.

### Standard Specifications

#### Electrical

Snap action electrical switch assemblies, Part Numbers 057-0770 & 057-0772 (Form C) and 057-0771 & 057-0773 (Form CC), are listed by CSA International and NCC (INMETRO). See the miscellaneous option N for additional listings.

#### Electrical Connection

1/2 NPT male conduit connection with PVC insulated 18 AWG, 18" long leads

#### Pressure Connection

1/4 NPT Male

#### Temperature Range\*

Ambient: -40°F to +180°F  
(-40°C to +82°C)

Media: -40°F to +300°F  
(-40°C to +149°C)

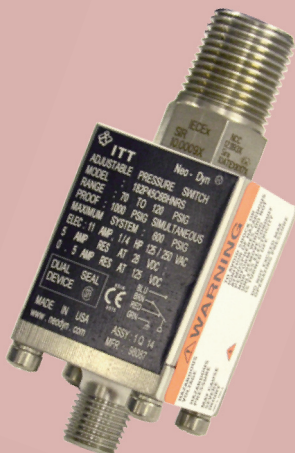
\*Temperature limits change with O-Ring selection. See Electrical Assembly specification sheet for Temperature Class Ratings.

#### Adjustment

1/8" allen wrench through port

#### Shipping Weight

Approximately 16 ounces



Explosion Proof  
Hermetically Sealed  
(NEMA 4X, 7, 9 and 13)

### Ordering Sequence — Select desired option for each category

#### OPTIONS

##### Wetted Material

- 1 Aluminum port, Teflon coated polyimide diaphragm, Buna-N O-Ring, stainless and cadmium plated steel
- 4 Stainless steel, Teflon coated polyimide diaphragm and Buna-N O-Ring

##### Adjustable Vacuum Range

- 2 2" Hg dec. to 28" Hg inc. vacuum (.07 bar dec. to .95 bar inc.)

##### Electrical Form

- C 11 amp, 1/4 hp at 125 or 250 VAC; 5 amp resistive, 3 amp inductive at 28 VDC; .5 amp resistive at 125 VDC
- CC 11 amp, 1/4 hp at 125 or 250 VAC; 5 amp resistive, 3 amp inductive at 28 VDC; .5 amp resistive at 125 VDC

##### Enclosure

- 6 Includes an explosion proof, hermetically-sealed electrical assembly. EX d IIC. Division 1 and 2, Class I, Groups A, B, C, and D; Class II, Groups E, F, and G. NEMA 4X, 7, and 9; IP66. Leads are factory sealed and Pressure Switches are Dual Seal Certified.

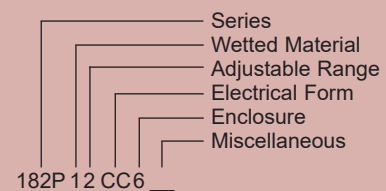
##### Miscellaneous

- A Epoxy paint exterior — extra protection for severe environments
- B Viton O-Ring
- C EPR O-Ring
- H Stainless steel body
- I 3/4 NPT conduit box with terminal strip (Groups C & D only, not available with N option)
- M Gold electrical contacts for extremely low current applications
- N ATEX and IECEx with CE Mark
- R 72" Electrical free leads
- U M20 x 1.5 Electrical Conduit Adapter

### Ordering Procedure

- When factory presetting is desired, stipulate set point, increasing or decreasing
- Insert available option number or letter designation as required

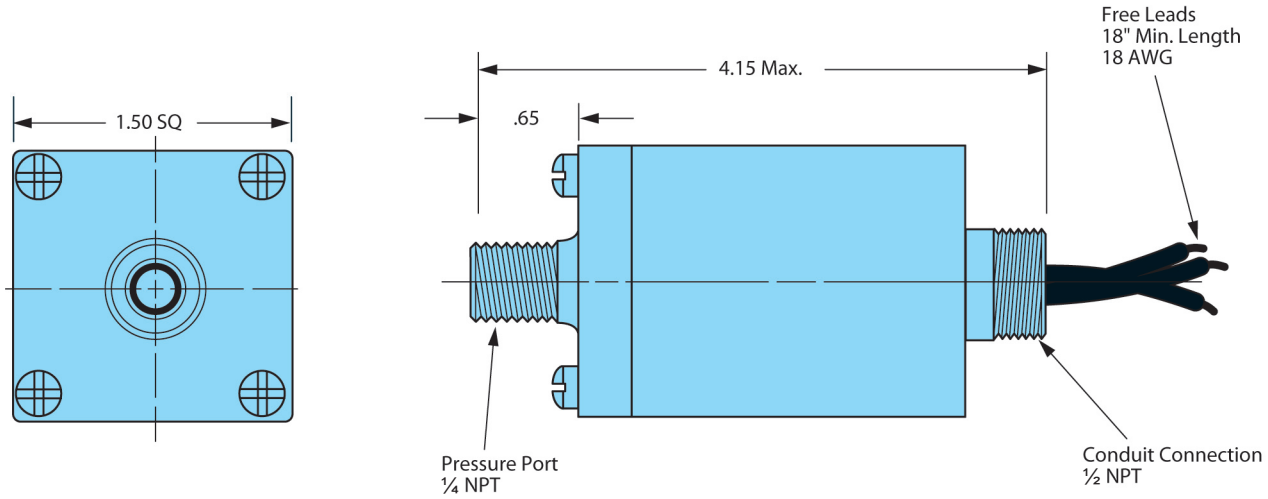
### Example



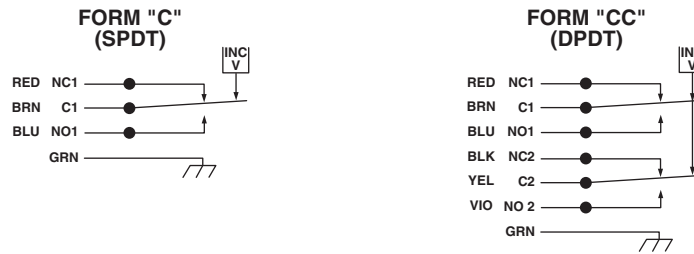
# Series 182P Vacuum Switch/Tamper Resistant

Field Adjustable  
2 to 28" Hg

## Envelope Dimensions



## Electrical Form



## Basic Principles of Design

