

## Series 200P Pressure Switch/Internal Adjustment

Versatile Nega-Rate® Belleville disc spring pressure switch for use in hazardous areas. Series 200P (piston sensor) for hydraulic applications up to 10000 psig system pressure.

### Operating Pressure Data

Adjustable Range Number	Adjustable Set Point Range		Deadband† (approximate)				Maximum Recommended System Pressure	Proof Pressure
	Increasing	Decreasing	Min.	Bar	Max.	Bar		
2	20 to 220	14 to 202	6	0.41	18	1.24	3000	4500
3	200 to 1500	150 to 1275	50	3.45	225	15.51	7500	10000
6	500 to 3000	375 to 2700	125	8.62	300	20.68	7500	10000
8	1000 to 10000	800 to 9000	200	13.79	1000	68.95	10000*	15000**

All values given in psig.

†The deadband increases as the adjustable set point is increased.

\*Diminished safety factor equal to approximately 2:1.

\*\*Diminished safety factor equal to approximately 1.3:1.

### Standard Specifications

#### Electrical

Snap action electrical switch assemblies, Part Numbers 057-0770 & 057-0772 (Form C) and 057-0771 & 057-0773 (Form CC), are listed by Underwriters' Laboratories, Inc., CSA International and NCC (INMETRO). See the miscellaneous option N for additional listings.

#### Electrical Connection

1/2 NPT male conduit connection with PVC insulated 18 AWG, 18" long leads

#### Pressure Connection

Wetted Material 1  
1/4 NPT Female

#### Temperature Range\*

Ambient: -40°F to +180°F  
(-40°C to +82°C)

Media: -40°F to +300°F  
(-40°C to +149°C)

\*Temperature limits change with O-Ring selection. See Electrical Assembly specification sheet for Temperature Class Ratings.

#### Adjustment

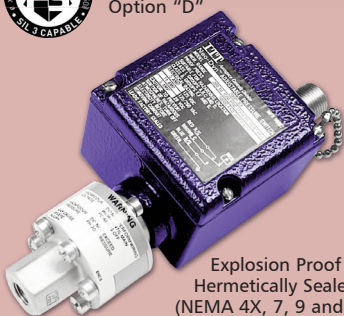
Concealed wrench flat adjustment with range scale

#### Shipping Weight

Approximately 3 pounds



Order Miscellaneous Option "D"



Explosion Proof Hermetically Sealed (NEMA 4X, 7, 9 and 13)

### Ordering Sequence — Select desired option for each category

#### OPTIONS

##### Wetted Material

**1** Aluminum port and piston, Teflon seal and Buna-N O-Ring

##### Adjustable Range

- 2** 14 psig dec. to 220 psig inc. (1.0 bar dec. to 15.2 bar inc.)
- 3** 150 psig dec. to 1500 psig inc. (10.3 bar dec. to 103.4 bar inc.)
- 6** 375 psig dec. to 3000 psig inc. (25.9 bar dec. to 206.9 bar inc.)
- 8** 800 psig dec. to 10000 psig inc. (55.2 bar dec. to 689.5 bar inc.)

##### Electrical Form

- C** 11 amp, 1/4 hp at 125 or 250 VAC; 5 amp resistive, 3 amp inductive at 28 VDC; .5 amp resistive at 125 VDC
- CC** 11 amp, 1/4 hp at 125 or 250 VAC; 5 amp resistive, 3 amp inductive at 28 VDC; .5 amp resistive at 125 VDC

##### Enclosure

- 6** Includes an explosion proof, hermetically-sealed electrical assembly. EX d IIC. Division 1 and 2, Class I, Groups A, B, C, and D; Class II, Groups E, F, and G. NEMA 4X, 7, and 9; IP66. Leads are factory sealed and Pressure Switches are Dual Seal Certified.

##### Miscellaneous

- A** Epoxy paint exterior — extra protection for severe environments
- B** Viton O-Ring
- C** EPR O-Ring
- D** SIL approval and marking, per IEC61508 (includes FMEA report)
- E** 7/16" - 20 SAE Female Port
- I** 3/4 NPT conduit box with terminal strip (Groups C & D only, not available with N option)
- M** Gold electrical contacts for extremely low current applications (1 Amp at 125 VAC; 1 Amp Res, 0.5 Amp Ind. at 28 VDC)
- N** ATEX and IECEx with CE Mark
- R** 72" Electrical free leads
- U** M20 x 1.5 Electrical Conduit Adapter
- W** Stainless steel screws — exterior

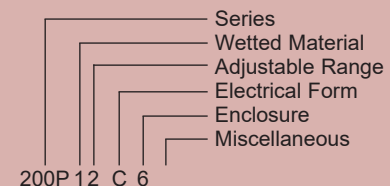
#### Special (Consult representative or factory)

- Non-catalog adjustable range and/or set point, deadband and proof pressure
- Media temperature capability from -65°F to +400°F

### Ordering Procedure

- When factory presetting is desired, stipulate set point, increasing or decreasing
- Insert available option number or letter designation as required

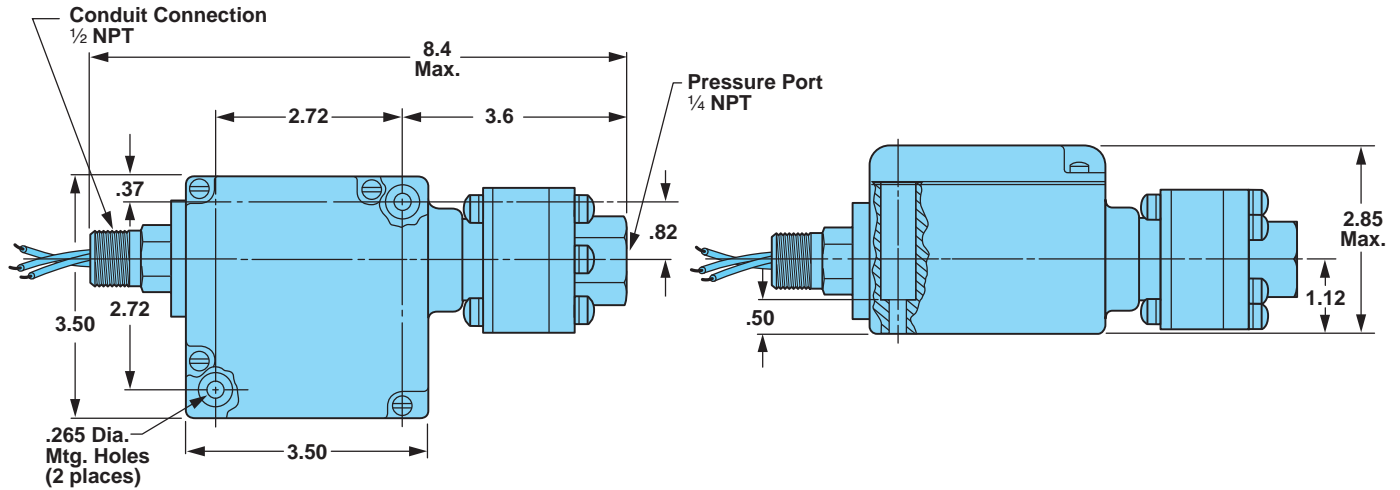
### Example



# Series 200P Pressure Switch/Internal Adjustment

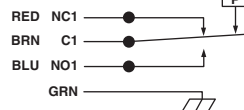
Field Adjustable  
14 to 10000 psig

## Envelope Dimensions

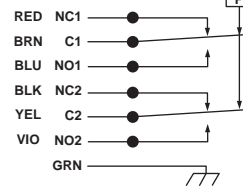


## Electrical Form

FORM "C"  
(SPDT)



FORM "CC"  
(DPDT)



## Basic Principles of Design

