

## Series 132P Pressure Switch/Internal Adjustment

Compact, adjustable pressure switch for pneumatic or low impulse hydraulic process applications. Efficient Nega-Rate® Belleville disc spring for set point stability and vibration resistance.

### Operating Pressure Data

Adjustable Range Number	Adjustable Set Point Range		Deadband (approximate)	Maximum Recommended System Pressure	Proof Pressure
	Increasing	Decreasing			
8	3 to 30	1 to 28	2	1350	2000
9	20 to 80	15 to 75	5	1350	2000
0	80 to 130	67 to 117	13	1350	2000
1	50 to 250	30 to 230	20	4000*	6000*
2	200 to 400	175 to 375	25	4000*	6000*
4	375 to 725	330 to 680	45	4000*	6000*
6	700 to 1500	620 to 1420	80	4000*	6000*
7	1500 to 2300	1400 to 2200	100	4000*	6000*

All values given in psig.

\* See Miscellaneous T for higher pressures.

### Standard Specifications

#### Electrical

Snap action electrical switch recognized by Underwriters' Laboratories, Inc. and CSA International

#### Electrical Connection

1/2 NPT male conduit connection with PVC insulated 18 AWG, 18" long leads

#### Pressure Connection

1/4 NPT Female

#### Temperature Range\*

Ambient: -40°F to +180°F  
(-40°C to +82°C)

Media: -40°F to +250°F  
(-40°C to +121°C)

\* Temperature limits change with O-Ring selection

#### Adjustment

Internal, slotted adjustment nut with range scale

#### Shipping Weight

Approximately 20 ounces



Order Miscellaneous Option "D"



Weather Proof (NEMA 4 and 13)

### Ordering Sequence — Select desired option for each category

#### OPTIONS

##### Wetted Material

- 4 316 stainless steel port and diaphragm, Buna-N O-Ring
- 5 316 stainless steel port and diaphragm heliarc welded

##### Adjustable Range

- 8 1 psig dec. to 30 psig inc. (0.1 bar dec. to 2.1 bar inc.)
- 9 15 psig dec. to 80 psig inc. (1.0 bar dec. to 5.5 bar inc.)
- 0 67 psig dec. to 130 psig inc. (4.6 bar dec. to 9.0 bar inc.)
- 1 30 psig dec. to 250 psig inc. (2.1 bar dec. to 17.2 bar inc.)
- 2 175 psig dec. to 400 psig inc. (12.1 bar dec. to 27.6 bar inc.)
- 4 330 psig dec. to 725 psig inc. (22.8 bar dec. to 50.0 bar inc.)
- 6 620 psig dec. to 1500 psig inc. (42.7 bar dec. to 103.4 bar inc.)
- 7 1400 psig dec. to 2300 psig inc. (96.5 bar dec. to 158.6 bar inc.)

##### Electrical Form

- C 11 amp, 1/4 hp 125 or 250 VAC; 5 amp resistive, 3 amp inductive at 28 VDC; .5 amp resistive at 125 VDC
- CC 11 amp, 1/4 hp 125 or 250 VAC; 5 amp resistive, 3 amp inductive at 28 VDC; .5 amp resistive at 125 VDC

##### Enclosure

- 3 Meets or exceeds the requirements of NEMA Type 3, 3R, 3S, 4, 4X and 13, IP65

##### Miscellaneous

- A Epoxy paint exterior — extra protection for severe environments
- B Viton O-Ring
- C EPR O-Ring
- D SIL approval and marking, per IEC61508 (includes FMEA report)
- E 7/16" - 20 SAE Female Port
- G 1/2 NPT Female Port
- I 1/2 NPT Conduit Box with Terminal Strip
- J Annealed stainless steel port screws for H<sub>2</sub>S environments — Consult factory for reduced system and proof pressure ratings
- M Gold electrical contacts for extremely low current applications
- O Oxygen clean (wetted material 5 only)
- R 72" Electrical free leads
- T 6300 psig system, 9450 psig proof, 410 stainless steel screws (Range 1 thru 7 only)
- U M20 x 1.5 Electrical Conduit Adapter
- X UL and CSA Approval and CE Marked

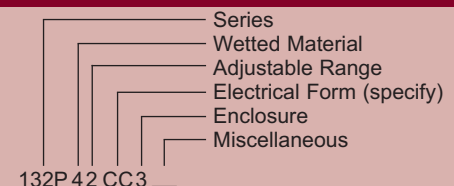
##### Special (Consult representative or factory)

- Non-catalog adjustable range and/or set point, deadband and proof pressure

### Ordering Procedure

- When factory presetting is desired, stipulate set point, increasing or decreasing
- Insert available option number or letter designation as required

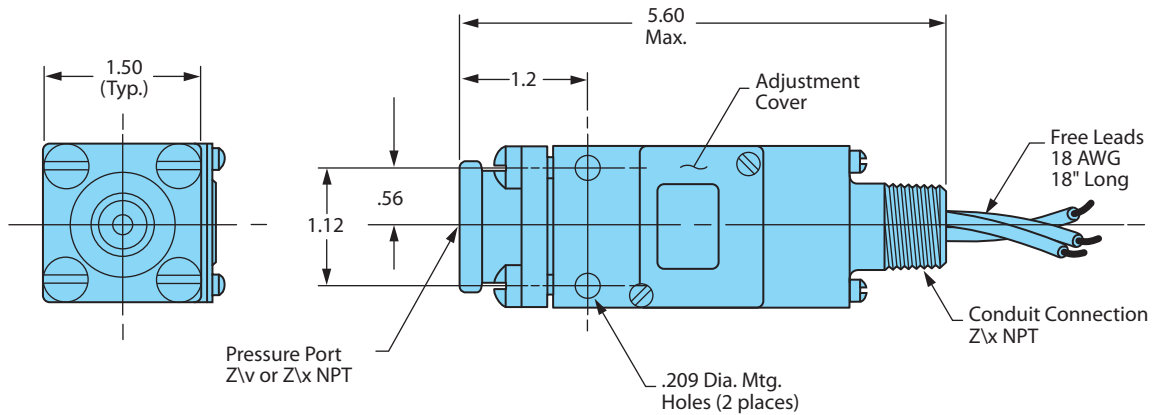
### Example



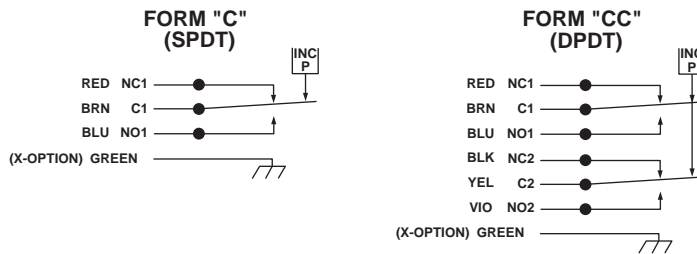
# Series 132P Pressure Switch/Internal Adjustment

Field Adjustable  
1 to 2300 psig

## Envelope Dimensions



## Electrical Form



## Basic Principles of Design

