

## Series 105P/105PP Pressure Switch/Miniature Tamper Proof

All purpose miniature tamper proof switch, extremely light weight and durable construction. Has efficient Nega-Rate® Belleville disc spring sensing mechanism. Small size improves vibration and shock resistance.

### Operating Pressure Data

Series	Fixed Set Point Range		Minimum Deadband (% of Increasing)	Maximum Recommended System Pressure	Proof Pressure
	Increasing	Decreasing			
105P	5 to 600	2 to 540	3 psi or 10% *	1500	3000
105P (5 wetted material)	15 to 130	10 to 110	5 psi or 15% *	250	500
105P (5 wetted material)	30 to 100	22 to 75	25%	1500	3000
105P (5 wetted material)	101 to 600	76 to 510	15%	1500	3000
105PP	601 to 2000	511 to 1700	15%	3000	5000

All values given in psig.

\* Whichever is greater

### Standard Specifications

#### Deadband (Differential)

The deadband can be selected anywhere from the minimum indicated to a maximum of 45% of the set point.

#### Electrical Connection

PVC insulated 18 AWG leads  
18" long

#### Pressure Connection

1/4 NPT Male

#### Temperature Range\*

Ambient: -40°F to +180°F  
(-40°C to +82°C)

Media: -40°F to +300°F  
(-40°C to +149°C)

\*Temperature limits change with O-Ring selection

#### Shipping Weight

Approximately 3 ounces



General Purpose  
(NEMA 1 and 2)

### Ordering Sequence — Select desired option for each category

#### OPTIONS

##### Wetted Material

- 1 Aluminum port, polyimide diaphragm and Buna-N O-Ring
- 4 316 stainless steel port, polyimide diaphragm and Buna-N O-Ring
- 5 316 stainless steel port and diaphragm heliarc welded (N/A on 105PP)

##### Electrical Form

**C** Enclosure 2 and 5 7 amp at 125/250 VAC; 7 amp resistive, 4 amp inductive at 28 VDC

**CC** Enclosure 2 only 7 amp at 125/250 VAC; 7 amp resistive, 4 amp inductive at 28 VDC

##### Enclosure

- 2 Meets or exceeds requirements of NEMA Type 1 and 2
- 5 Hermetically sealed electrical assembly [Suitable for all Division 2 hazardous locations]

##### Miscellaneous

- B** Viton O-Ring
- C** EPR O-Ring
- M** Gold electrical contacts for extremely low current applications
- R** 72" Electrical free leads
- U** M20 x 1.5 Electrical Conduit Adapter

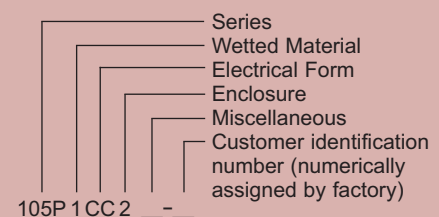
##### Special (Consult representative or factory)

- Pressure port per SAE AS4395E04
- Electrical connection per MS33678-10SL-3P
- Non-catalog set point, deadband and/or proof pressure
- Media temperature capability from -65°F to +400°F

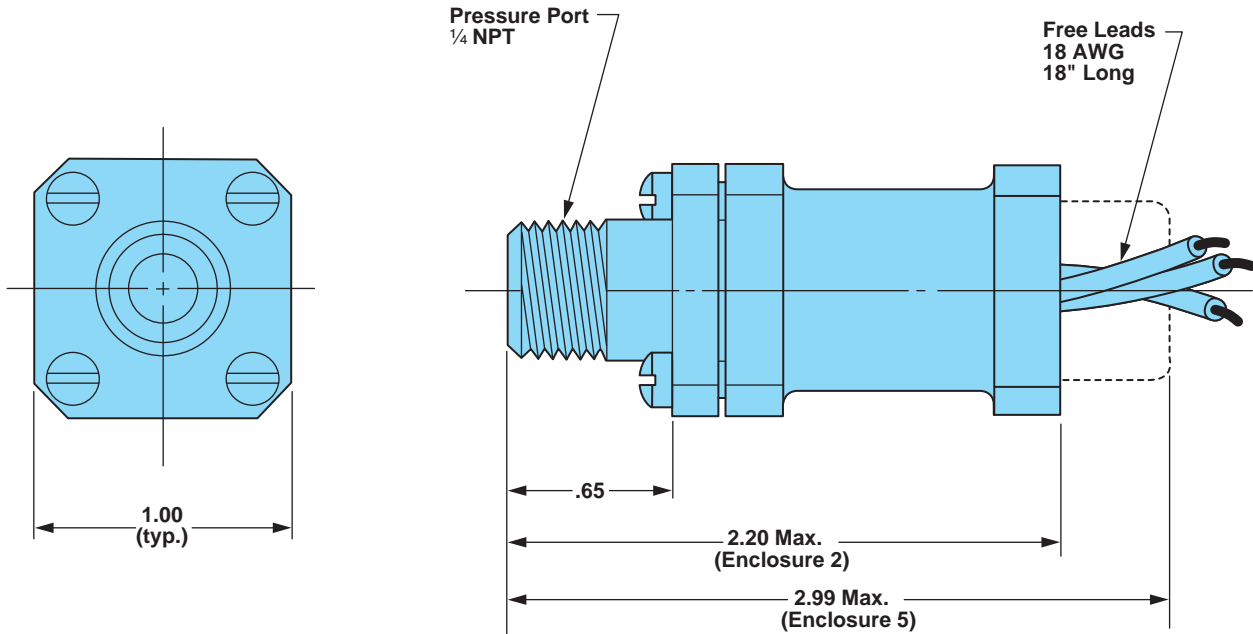
### Ordering Procedure

- Specify set point, increasing or decreasing
- Specify deadband if pertinent and if not, specify as 'open'
- Specify system pressure
- Specify proof pressure
- Specify media
- Insert available 'option' number or letter designation as required

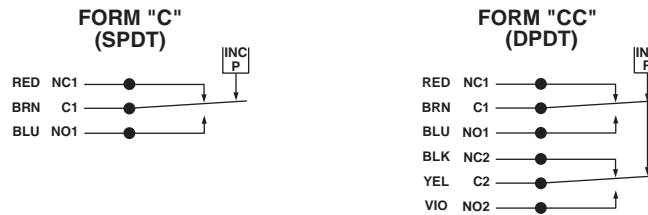
### Example



## Envelope Dimensions



## Electrical Form



## Basic Principles of Design

