

## Series 110P Pressure Switch/Internal Adjustment

Sensitive Nega-Rate® Belleville spring adjustable pressure switch for low pressure applications.

### Operating Pressure Data

Adjustable Range Number	Adjustable Set Point Range		Deadband (approximate)	Maximum Recommended System Pressure (PSI)	Proof Pressure (PSI)
	Increasing	Decreasing			
2	10" H <sub>2</sub> O to 100" H <sub>2</sub> O	7" H <sub>2</sub> O to 97" H <sub>2</sub> O	3" H <sub>2</sub> O	300	500
4	3 to 15	2.75 to 14.75	.25	300	500

All values given in psig.

### Standard Specifications

#### Electrical

Snap action electrical switch recognized by Underwriters' Laboratories, Inc. and CSA International

#### Electrical Connection

1/2 NPT female conduit connection with terminal block

#### Pressure Connection

Wetted Material 1  
1/4 NPT Female

Wetted Material 4  
1/2 NPT Female

#### Temperature Range\*

Ambient: -40°F to +180°F  
(-40°C to +82°C)

Media: -40°F to +300°F  
(-40°C to +149°C)

\*Temperature limits change with O-Ring selection

#### Adjustment

Concealed wrench flat adjustment with range scale

#### Shipping Weight

Approximately 3 pounds



Order Miscellaneous Option "D"



Weather Proof (NEMA 4 and 13)

### Ordering Sequence — Select desired option for each category

#### OPTIONS

##### Wetted Material

- 1 Aluminum port, Teflon coated polyimide diaphragm and Buna-N O-Ring
- 4 316 stainless steel port, Teflon coated polyimide diaphragm and Buna-N O-Ring

##### Adjustable Range

- 2 7" H<sub>2</sub>O dec. to 100" H<sub>2</sub>O inc. (17 millibar dec. to 249 millibar inc.)
- 4 2.75 psig dec. to 15 psig inc. (0.2 bar dec. to 1.0 bar inc.)

##### Electrical Form

- C 15 amp at 125 or 250 VAC; 1/8 hp at 125 VAC; 1/4 hp at 250 VAC; .5 amp resistive, .04 amp inductive at 125 VDC
- CC 11 amp, 1/4 hp at 125 or 250 VAC; 5 amp resistive, 3 amp inductive at 28 VDC; .5 amp resistive at 125 VDC
- Z 15 amp at 125 or 250 VAC; 1/4 hp at 125 VAC; 1/2 hp at 250 VAC; 1 amp resistive, .5 amp inductive at 125 VDC

##### Enclosure

- 3 Meets or exceeds the requirements of NEMA Type 3, 3R, 3S, 4, 4X and 13, IP65

##### Miscellaneous

- A Epoxy paint exterior — extra protection for severe environments
- B Viton O-Ring
- C EPR O-Ring
- D SIL approval and marking, per IEC61508 (includes FMEA report)
- F Fire fuse — for fire-tested equipment (Wetted Material 4 only; not available with G)
- G 1/2 NPT male port (Wetted Material 4 only)
- L Neon indicator light — 115 VAC
- M Gold electrical contacts for extremely low current applications - (Not with Z Form)
- P 5-Pin Brad Harrison connector (Reduce AC electrical rating to 8 amps)— (Not for CC3 Electrical)
- S Stainless steel diaphragm (Wetted Material 4 only)
- U M20 x 1.5 Electrical Conduit Adapter
- W Stainless steel screws — exterior (Standard with Wetted Material 4)
- X UL and CSA Approved and CE Mark (Not available with L or P option)

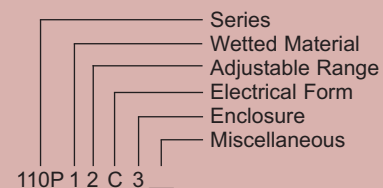
##### Special (Consult representative or factory)

- Non-catalog adjustable range and/or set point, deadband and proof pressure
- Chemical seals installed

### Ordering Procedure

- When factory presetting is desired, stipulate set point, increasing or decreasing
- Insert available option number or letter designation as required

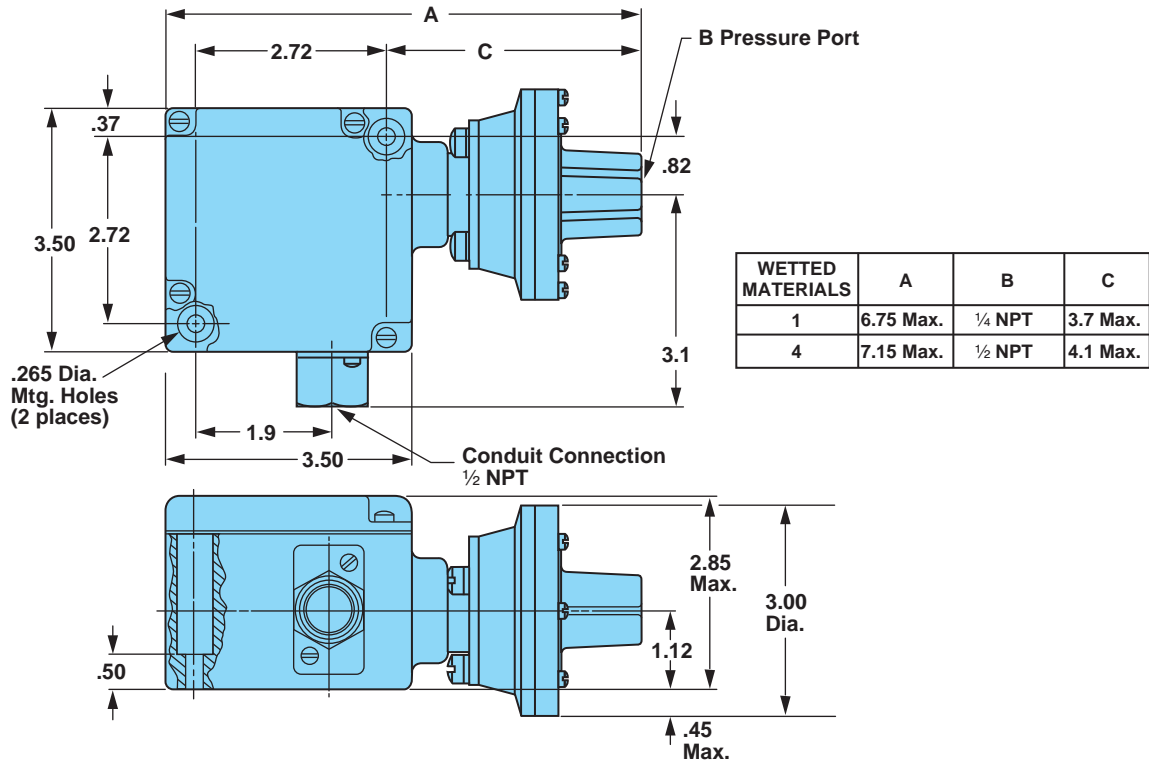
### Example



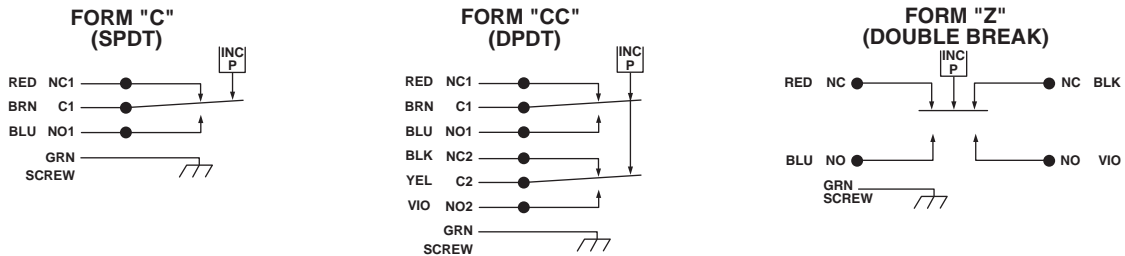
# Series 110P Pressure Switch/Internal Adjustment

Field Adjustable  
7" H<sub>2</sub>O to 15 psig

## Envelope Dimensions



## Electrical Form



## Basic Principles of Design

