

Series 130P Pressure Switch/Tamper Resistant

Compact, versatile pressure switch for low to mid-range pressure applications. Features efficient Nega-Rate® Belleville disc spring for stable set points, vibration resistance and field adjustability through the pressure port. Once adjustments are made and switch is installed, it becomes tamper proof.

Operating Pressure Data

Adjustable Range Number	Adjustable Set Point Range		Deadband (approximate)	Maximum Recommended System Pressure	Proof Pressure
	Increasing	Decreasing			
1	2 to 12	1 to 11	1	600	1000
2	10 to 30	7 to 27	3	600	1000
3	30 to 50	25 to 45	5	600	1000
4	50 to 70	44 to 64	6	600	1000
5	70 to 120	60 to 110	10	600	1000
6	120 to 170	105 to 155	15	600	1000

All values given in psig.

Standard Specifications

Electrical

Snap action electrical switch recognized by Underwriters' Laboratories, Inc. and CSA International

Electrical Connection

1/2 NPT male conduit connection with PVC insulated 18 AWG, 18" long leads

Pressure Connection

1/4 NPT Male

Temperature Range*

Ambient: -40°F to +180°F
(-40°C to +82°C)

Media: -40°F to +300°F
(-40°C to +149°C)

*Temperature limits change with O-Ring selection

Adjustment

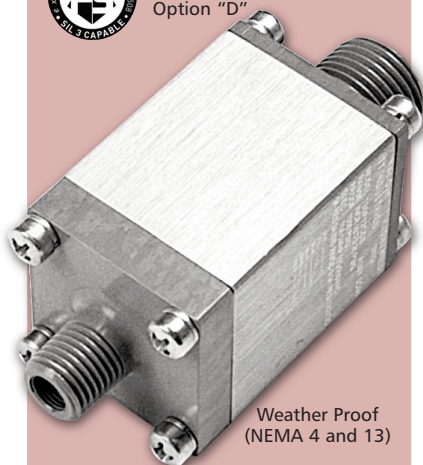
1/8" allen wrench through port

Shipping Weight

Approximately 13 ounces



Order Miscellaneous Option "D"



Weather Proof (NEMA 4 and 13)

Ordering Sequence — Select desired option for each category

OPTIONS

Wetted Material

- 1 Aluminum port, Teflon coated polyimide diaphragm, Buna-N O-Ring
- 4 316 stainless steel port, Teflon coated polyimide diaphragm, Buna-N O-Ring

Adjustable Range

- 1 1 psig dec. to 12 psig inc. (0.1 bar dec. to 0.8 bar inc.)
- 2 7 psig dec. to 30 psig inc. (0.5 bar dec. to 2.1 bar inc.)
- 3 25 psig dec. to 50 psig inc. (1.7 bar dec. to 3.4 bar inc.)
- 4 44 psig dec. to 70 psig inc. (3.0 bar dec. to 4.8 bar inc.)
- 5 60 psig dec. to 120 psig inc. (4.1 bar dec. to 8.3 bar inc.)
- 6 105 psig dec. to 170 psig inc. (7.2 bar dec. to 11.7 bar inc.)

Electrical Form

- C 11 amp, 1/4 hp at 125 or 250 VAC; 5 amp resistive, 3 amp inductive at 28 VDC; .5 amp resistive at 125 VDC
- CC 11 amp, 1/4 hp at 125 or 250 VAC; 5 amp resistive, 3 amp inductive at 28 VDC; .5 amp resistive at 125 VDC

Enclosure

- 3 Meets or exceeds the requirements of NEMA Type 3, 3R, 3S, 4, 4X and 13, IP65

Miscellaneous

- A Epoxy paint exterior — extra protection for severe environments
- B Viton O-Ring
- C EPR O-Ring
- D SIL approval and marking, per IEC61508 (includes FMEA report)
- I 1/2 NPT Conduit box with terminal strip
- M Gold electrical contacts for extremely low current applications
- R 72" Electrical free leads
- S Stainless steel diaphragm — (Wetted Material 4 only)
- U M20 x 1.5 Electrical Conduit Adapter
- X UL and CSA approved and CE Mark

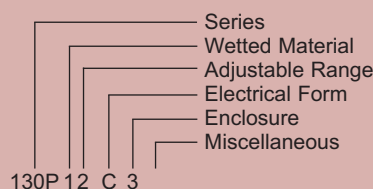
Special (Consult representative or factory)

- Non-catalog adjustable range and/or set point, deadband and proof pressure

Ordering Procedure

- When factory presetting is desired, stipulate set point, increasing or decreasing
- Insert available option number or letter designation as required

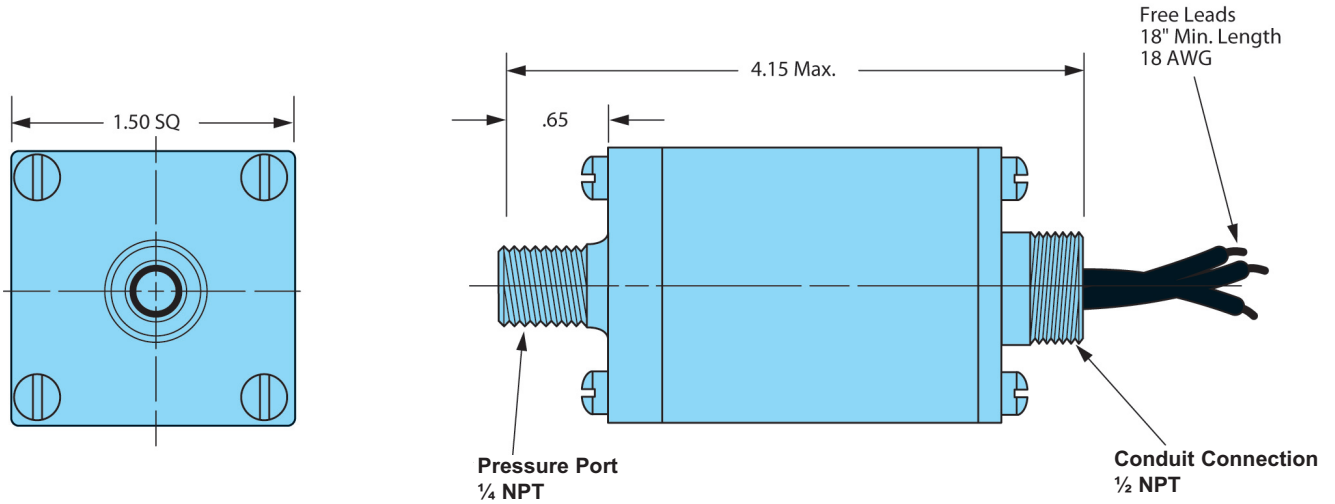
Example



Series 130P Pressure Switch/Tamper Resistant

Field Adjustable
1 to 170 psig

Envelope Dimensions



Electrical Form



Basic Principles of Design

