



**ITT**

NEO-DYN<sup>®</sup>

MODELS 132T AND 132TC

ADJUSTABLE TEMPERATURE SWITCHES,

ENCLOSURE 3X FOR WEATHERPROOF APPLICATIONS

**INSTALLATION AND  
OPERATION MANUAL**

PN 610-00011 Rev B

Manual No. 610-0011 REV B  
Neo-Dyn®  
28150 Industry Drive  
Valencia, CA 91355  
Tel: (661) 295-4000  
Fax: (661) 294-1750  
World Wide Web: [www.neodyn.com](http://www.neodyn.com)  
©Copyright 2002  
ITT Industries

## Important Information

The product warranty applicable to this ITT Neo-Dyn® instrument is as stated on the last page of this manual.

Should any after-delivery problems arise, please contact ITT Neo-Dyn's Customer Service using the information above. Our normal business hours are weekdays, 7:00 am to 3:30 PM, Pacific Time.

Before installing this Temperature Switch, become familiar with the installation and adjustment instructions in Chapters 2 and 3

**WARNING** Indicates a hazard which can cause severe personal injury, death, or substantial property damage if the warning is ignored.

**CAUTION** Indicates a hazard which will or can cause minor personal injury or property damage if the caution is ignored.

**NOTE** Indicates additional information about a particular item necessary to the operation of the unit.

This document contains proprietary information, which is the property of Neo-Dyn®, a unit of ITT industries. This document may not be reproduced, either in part or in full, without the consent of ITT industries.

# TABLE OF CONTENTS

CHAPTER 1 INTRODUCTION.....	1
CUSTOMER SERVICE.....	2
OTHER CONFIGURATIONS.....	2
CHAPTER 2 INSTALLATION.....	3
MOUNTING .....	3
PROCESS CONNECTIONS.....	4
PROCESS MEDIA.....	4
POTENTIALLY EXPLOSIVE ATMOSPHERES (HAZARDOUS LOCATIONS) .....	4
ELECTRICAL CONNECTIONS.....	5
CHAPTER 3 ADJUSTMENTS AFTER INSTALLATION.....	6
SETPOINT ADJUSTMENT .....	6
CHAPTER 4 TROUBLESHOOTING .....	7
CHAPTER 5 SPECIFICATIONS .....	8
WARRANTY INFORMATION .....	11

# CHAPTER

# 1

## INTRODUCTION

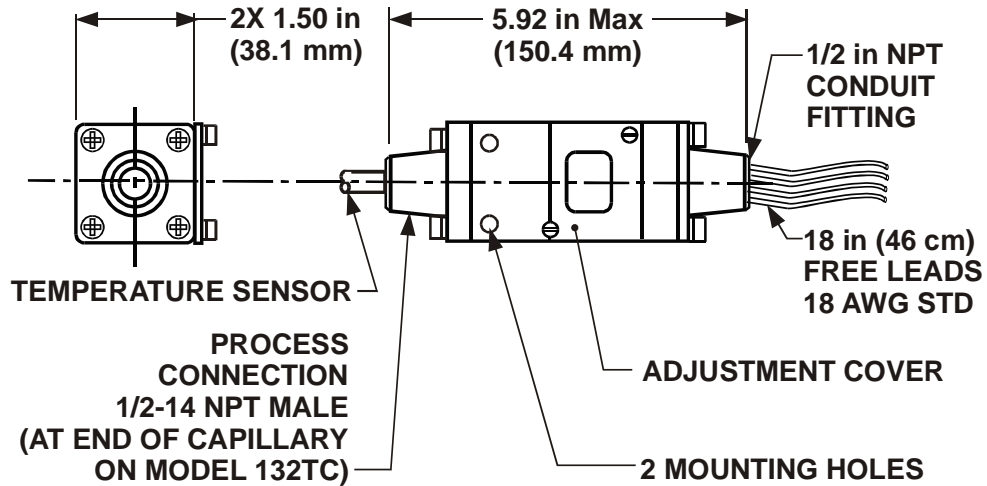
The Neo-Dyn<sup>®</sup> Enclosure 3X Temperature Switches described in this manual are weather-proof, electromechanical sensing devices designed for a wide range of applications in pneumatic and hydraulic systems up to 1500 psig. Models 132T and 132TC differ in that the temperature sensor of Model 132T is directly attached to the housing, while the sensor of Model 132TC is remotely located at the end of a capillary connection.

Both models use austenitic corrosion-resistant steel (300 series) in the area wetted by the process media. Model 132T has a Teflon seal, and Model 132TC uses a graphite-filled non-asbestos packing.

Setpoint adjustments of both models are easily made through the adjustable range by turning an adjustment nut that is accessed by removing the unit's front cover.

The standard configuration of these switches will switch up to 11 amp at 125 or 250 VAC, 5 amp resistive at 28 VDC, or 0.5 amp resistive at 125 VDC. When ordered with M Option, the switch is rated for currents to one ampere, but its bifurcated gold contacts will reliably switch currents in the milliamper and microampere ranges.

These switches have CE Mark, and the internal switching elements are recognized components by both UL and CSA. The weatherproof enclosures are rated for IP66 ingress protection, and they also meet the requirements of NEMA 3, 3R, 3S, 4, 4X and 13.



**Figure 1. Models 132T and 132TC Enclosure 3X  
Adjustable Temperature Switches for Weatherproof Applications**

Chapter 5 contains complete specifications.

## **CUSTOMER SERVICE**

---

If you have any questions about these Temperature Switches that are not covered in this manual, you can contact Neo-Dyn<sup>®</sup> or our representatives in several ways.

The Neo-Dyn<sup>®</sup> customer service phone number is (661) 295-4000. Our customer service department is open from 7:00 am to 3:30 p.m. Pacific Time.

Our Internet site is [www.neodyn.com](http://www.neodyn.com); it includes lists of sales representatives and distributors.

## **OTHER CONFIGURATIONS**

---

**WARNING** The models described in this manual are also available in special and factory-set configurations. For these units, follow the installation and operating instructions herein, **except adhere to the pressure, temperature, and electrical limits marked on the units..**

# CHAPTER

# 2

## INSTALLATION

Installation of these Neo-Dyn<sup>®</sup> Enclosure 3X temperature switches is straightforward. However, they must be installed by a qualified electrician, in compliance with all local and national electrical codes.

- WARNING** Electrical hazard
- WARNING** Do not make electrical connections while power is on.
- WARNING** Always check for multiple circuits.
- WARNING** Always make sure grounding is adequate.
- WARNING** Do not remove switch while under pressure.

### MOUNTING

---

Model 132T Temperature Switches can be mounted directly to the process connection if there is no significant vibration and the fluid lines are capable of supporting the weight, and it can also be attached to a flat surface, such as a wall or panel, using .190 in. diameter (no. 10) or M5 fasteners through the mounting holes that are spaced 1.125 in (28.6 mm) apart. The fastener length should include 1.50 inches (38.1 mm) above the mounting surface.

Model 132TC, which has a remote temperature sensor, must be attached by the mounting holes to a flat surface as described above.

## PROCESS CONNECTIONS

---

The process connections are:

Model 132T: ½” - 14 NPT male standard. The .25 in. (6.4 mm) dia. temperature probe extends 3.5 in. (89 mm) past the end of the pipe thread.

Model 132TC: ½” - 14 NPT male standard. The .38 in. (9.7 mm) dia. probe extends 4.25 in. (108 mm) min. from the end of the pipe thread, and can be extended an additional 9.5 in. (241 mm). After this length adjustment, torque the gland nut in the pipe fitting to  $230 \pm 20$  in-lb ( $26.0 \pm 2.3$  newton-meters)

When installing the Temperature switch, always:

- Make sure that the unit and your system have matching threads.
- Use the wrench flats provided.
- Seal all joints with pipe joint sealing compound.

**CAUTION** Avoid excessive torque on all threaded connections.

**WARNING** **Do not exceed the 1500 psig (103.5 bar) maximum operating pressure in normal operation.**

The 2250 psig (155.1 bar) Proof Pressure is provided to give the maximum allowable pressure without causing permanent damage to the temperature switch in the event of an over-pressure condition. Set pressure relief/safety valves below this setting.

Similarly, the marked Proof Temperature is the maximum temperature the process media could reach in an over-temperature condition without damaging the switch.

## PROCESS MEDIA

---

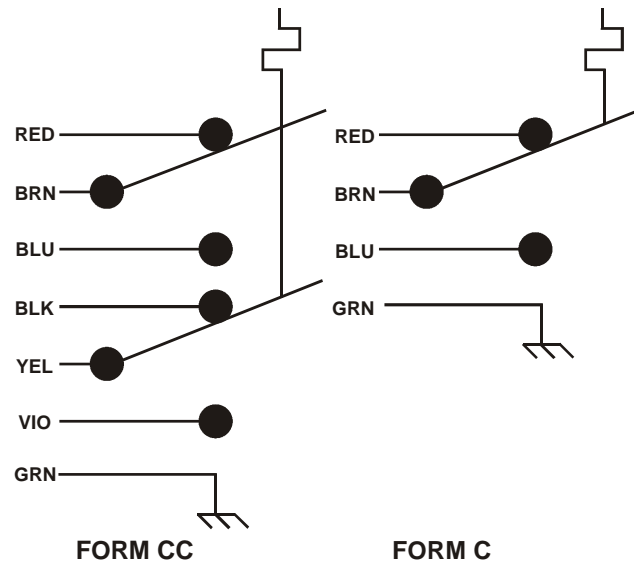
Process media must be compatible with the wetted materials listed in Chapter 5 starting on page 9. Compatibility is defined by an “A” rating in the Chemical Resistance Guide for Metals and Alloys, the Chemical Resistance Guide for Plastics, and the Chemical Resistance Guide for Elastomers, all published by Compass Publications, and available from the National Association of Corrosion Engineers (NACE), Houston, Texas; telephone 281 228 6200.

## ELECTRICAL CONNECTIONS

---

18 AWG free leads 18 in (46 cm) long are standard, with a green wire grounded to the case. 72 inch (183 cm) leads are available as R Option, and other lead lengths may be ordered as special configurations.

**WARNING** All field wiring must comply with requirements of the NEC or applicable local or national electrical codes, including wire gauges and insulation temperature ratings.



**Figure 2. Temperature Switch Schematics Shown Below the Decreasing Setpoint**



## ADJUSTMENTS AFTER INSTALLATION

The factory-set setpoint or adjustable setpoint range is marked on the nameplate of the switch. This section describes the adjustments needed after an Adjustable Temperature switch has been properly installed.

### SETPOINT ADJUSTMENT

---

**WARNING** Do not remove switch while under pressure.

1. Disconnect the electrical power. Check for multiple circuits.
2. Loosen the screws on the adjustment cover and pivot it out of the way.
3. Rotate the adjustment nut by hand or with a small-shafted screwdriver or similar tool inserted into a slot. The range scale is intended to be used only as an approximate guide; it indicates the increasing setpoint. Make precise final adjustments using the measurements described in para 4 and 0 above.
4. To check the increasing setpoint of a temperature switch, insert the temperature probe into a fluid bath so that the hex is within 3/8 inch (9.5 mm) of the surface, and also insert a calibrated thermometer into the fluid next to the probe. Slowly increase the temperature of the fluid (try not to exceed 5 °C or 9 °F per minute) until actuation is noted by listening to the audible snap of the Belleville spring, or with an ohmmeter across the appropriate free leads
5. If you want to check the decreasing setpoint, slowly decrease the temperature after the switch has actuated and note the value at which the audible snap or an ohmmeter indicates deactuation. Deadband may be calculated if desired by subtracting the decreasing setpoint reading from the increasing setpoint reading.

**CAUTION** 6. Replace the cover by swinging it back into position over the adjustment window and tightening the screws until the cover is snug against its gasket. Do not overtighten, as this could damage the gasket.

# CHAPTER

# 4

## TROUBLESHOOTING

In-service problems are unlikely, but the following paragraphs suggest ways to verify any problems that might arise:

### 1. Failure to Switch

If application of temperature 10% greater than the adjusted setpoint fails to produce actuation, first check for contamination in the process connection, and verify that the expected temperature is reaching the sensing diaphragm or piston.

If the Belleville spring can be heard to audibly snap, but an ohmmeter indicates no electrical switching, the cause is probably stuck or burned switch contacts, or the switch element has moved away from the position where it was synchronized with the snap action. Return the unit for repair.

If application of temperature 10% greater than the adjusted setpoint fails to produce an audible snap of the Belleville spring, there is probably a mechanical failure or binding due to contamination. Return the unit for repair.

### 2. Calibration Shifts

If it is suspected that the setpoints have shifted, recheck them per Chapter 3. If you verify unstable or drifting setpoints, return the unit for repair.

# CHAPTER 5 SPECIFICATIONS

This section shows standard specifications and available options.

## STANDARD

### Interface

---

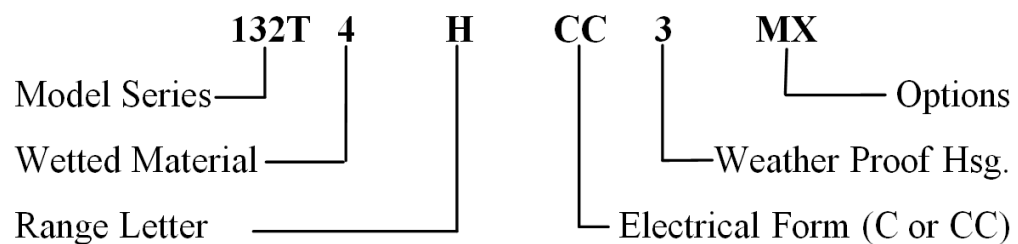
Model 132T weighs approximately 20 ounces (0.6 kg) each with an aluminum-alloy body, while Model 132TC weighs approximately 28 ounces (0.8 kg).

Process and Conduit Connections: ½” - 14 NPT male

### Part Number

---

The part number contains information about which configurations and options are included in your Adjustable Temperature switch. To determine the temperature range, electrical rating, and options, compare the part number of your unit with the information in Figure 3 the following tables.



**Figure 3. Part Number Breakdown**

*NOTE:* Part number format varies for specials.

## Wetted Materials

---

Table 1	
No	Description
4	300-series CRES port and piston, Teflon seal, and nitrile O-ring (Models 132T)
5	UNS S31600 CRES port and diaphragm, heliarc welded (Model 132TC).

## Pressure Ratings

---

Maximum Operating Pressure: 1500 psig (103.5 bar)

Proof Pressure: 2250 psig (155.1 bar)

## Weather Proof Ratings

---

Ingress protection IP66

Enclosure type 3, 3R, 3S, 4, 4X, 13 (NEMA)

## Electrical and Ambient Temperature Ratings

---

Form C3X (SPDT):

11 amp and ¼ hp @ 125 or 250 VAC, -40 to +80 °C (-40 to +176 °F);

5 amp resistive , 3 amp inductive @ 28 VDC; .5 amp resistive @ 125 VDC; -40 to +85 °C (-40 to +186 °F).

Form CC3X (DPDT):

11 amp and ¼ hp @ 125 or 250 VAC; -40 to +70 °C (-40 to +158 °F);

5 amp resistive , 3 amp inductive @ 28 VDC; .5 amp resistive @ 125 VDC; -40 to +85 °C (-40 to +186 °F).

Form C3MX or CC3MX (SPDT or DPDT with M Option):

1 amp @ 125 VAC, -40 to +85 °C (-40 to +186 °F):

## **Listing Agency Approvals**

---

CE Mark      All models with option letter X in the part number.

Internal switching elements are recognized components by both UL and CSA.

## **OPTIONS**

---

The available options for standard switches are listed below. These options can be combined; every included option will be indicated in the part number of the unit.

Table 2	
Option	Description
A	Epoxy-painted exterior
M	Gold Electrical Contacts For Extremely Low Current Applications
R	72 inch (183 cm) leads
X	CE mark

# WARRANTY INFORMATION

## **A. Warranty:**

ITT Industries (ITT) warrants that at the time of shipment, the products manufactured by ITT Neo-Dyn<sup>®</sup> and sold hereunder, will be free from defects in material and workmanship and will conform to the specifications furnished or approved by ITT.

## **B. Warranty Adjustment:**

If any defect within this warranty appears, the Buyer shall notify ITT immediately.

ITT agrees to repair or furnish a replacement for, but not install, any product which, within one (1) year from the date of shipment by ITT shall, upon test and examination by ITT, prove defective within the above warranty.

No product will be accepted for return or replacement without the written authorization of ITT. Upon such authorization, and in accordance with instructions by ITT, the product will be returned with shipping charges prepaid by the Buyer. Replacements made under this warranty will be shipped prepaid.

## **C. Exclusion from Warranty:**

THE FOREGOING WARRANTY IS IN LIEU OF AND EXCLUDES ALL OTHER EXPRESSED OR IMPLIED WARRANTIES OF MERCHANTABILITY, OR FITNESS, OR OTHERWISE.

Components manufactured by any supplier other than ITT shall bear only the warranty made by the manufacturer of that product, and ITT assumes no responsibility for the performance or reliability of the unit as a whole.

In no event shall ITT be liable for indirect, incidental or consequential damages nor shall the liability of ITT arising in connection with any products sold hereunder (whether such liability arises from a claim based on contract, warranty, tort or otherwise) exceed the actual amount paid by Buyer to ITT for the products delivered hereunder.

The warranty does not extend to any product manufactured by ITT, which has been subject to misuse, neglect, accident, improper installation, or to use in violation of instructions furnished by ITT.

The warranty does not extend to or apply to any unit, which has been repaired or altered at any place other than at ITT's factory or service locations, by persons not expressly approved by ITT.