



UNITED KINGDOM CONFORMITY ASSESSMENT

1 **UK TYPE EXAMINATION CERTIFICATE**

2 Equipment Intended for use in Potentially Explosive Atmospheres
UKSI 2016:1107 (as amended) – Schedule 3A, Part 1

3 Certificate Number: **CSAE 22UKEX1414X** Issue: **0**

4 Product: **100P Range of Pressure Operated Switches**

5 Manufacturer: **ITT Aerospace Controls**

6 Address: **28150 Industry Drive
Valencia
California 91355
USA**

7 This product and any acceptable variation thereto is specified in the schedule to this certificate and the documents therein referred to.

8 CSA Group Testing UK Limited, Approved Body number 0518, in accordance with Regulation 42 of the Equipment and Protective Systems Intended for Use in Potentially Explosive Atmospheres Regulations 2016, UKSI 2016:1107 (as amended), certifies that this product has been found to comply with the Essential Health and Safety Requirements relating to the design and construction of products intended for use in potentially explosive atmospheres given in Schedule 1 of the Regulations. The examination and test results are recorded in the confidential reports listed in Section 14.2.

9 Compliance with the Essential Health and Safety Requirements has been assured by compliance with:

EN IEC 60079-0:2018/AC:2020 EN 60079-1:2014/AC:2018 EN 60079-31:2014

Except in respect of those requirements listed at Section 16 of the schedule to this certificate. The above standards may not appear on the UKAS Scope of Accreditation, but have been added through flexible scope of accreditation, which is available on request.

10 If the sign 'X' is placed after the certificate number, it indicates that the product is subject to Specific Conditions of Use identified in the schedule to this certificate.

11 This UK TYPE EXAMINATION CERTIFICATE relates only to the design and construction of the specified product. Further requirements of the Regulations apply to the manufacturing process and supply of this product. These are not covered by this certificate.

12 The marking of this product shall be in accordance with Regulation 41 and include the following:



II 2 G D
Ex db IIB T6 Gb
Ex tb IIIC T85°C Db IP6X
Ta = -40°C to +70°C

Name: Michelle Halliwell
Title: Director of Operations



**UKUK
CANI**

Certificate No. CSAE 22UKEX1414X
CSA Group Testing UK Ltd., Unit 6 Hawarden Industrial Park, Hawarden, CH5 3US, UK
This certificate and its schedules may only be reproduced in its entirety and without change

QD-1599 Issue 4 (2022-08-22)

Page 1 of 3

SCHEDULE

UK TYPE EXAMINATION CERTIFICATE

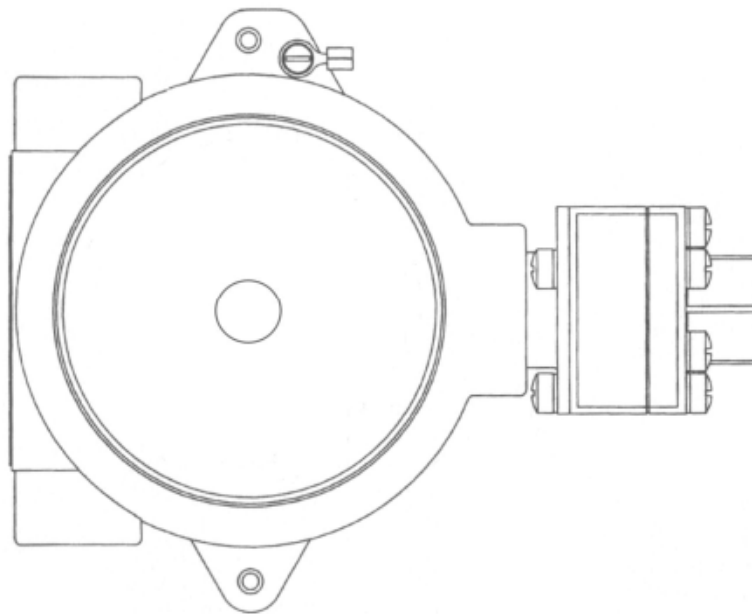
**CSAE 22UKEX1414X
Issue 0**

13 DESCRIPTION OF PRODUCT

The 100P Range of Pressure Operated Switches are pressure-Operated switches that are activated by a Belleville spring that snaps at a pre-determined force. They comprise a cylindrical, spring assembly mounted to a Killark Type HKB-BC enclosure both manufactured from aluminium. The spring assembly contains the Belleville spring and its associated operators. The Killark enclosure as detailed in certificate no, DEMKO 01ATEX015742U, contains an electrical switch and associated terminals. Connection to external circuits is via either of two 3/4"-14 NPT threaded cable entry points.

Variants.

Part No.	Description.
100P**C	- 480 V ac, 15 A; 125 V dc, 0.5 A RES, 0.04A IND
100P**CC	- 250 V ac, 11 A; 125 V dc, 0.5 A; 28 V dc, 3 A IND
100P**Z	- 480 V ac, 15 A; 125 V dc, 1 A RES, 0.5A IND
100P**C(M)	- 125 V ac, 1 A
100P**CC(M)	- 125 V ac, 1 A



Drawing of a 100P Pressure Operated Switch.

14 DESCRIPTIVE DOCUMENTS

14.1 Drawings

Refer to Certificate Annexe.

SCHEDULE

UK TYPE EXAMINATION CERTIFICATE

**CSAE 22UKEX1414X
Issue 0**

14.2 Associated Reports and Certificate History

Issue	Date	Report number	Comment
0	01 March 23	R80144812A	The release of the prime certificate.

15 SPECIFIC CONDITIONS OF USE (denoted by X after the certificate number)

- 15.1 The setscrew that secures the threaded cover shall only be replaced with a 0.138-32 UNC- 2A (6-32) socket head cap screw, 300 Series CRES or CAD plated Grade 5 steel.
- 15.2 The 100P Range of Pressure Operated Switches is suitable for use within an ambient temperature range of -40°C to +70°C.
- 15.3 Flameproof joints are not to be repaired in the field. If any flamepath is damaged the Pressure Switch is to be removed from service and replaced with a new, properly working Pressure switch.

16 ESSENTIAL HEALTH AND SAFETY REQUIREMENTS (REGULATIONS SCHEDULE 1)

In addition to the Essential Health and Safety Requirements covered by the standards listed in Section 9, all other requirements are demonstrated in the relevant reports.

17 PRODUCTION CONTROL

- 17.1 Holders of this certificate are required to comply with production control requirements defined in Schedule 3A, as applicable, and CSA Group Testing UK Regulations for Certificate Holders.



Certificate Annexe

Certificate Number: CSAE 22UKEX1414X
Product: 100P Range of Pressure Operated Switches
Manufacturer: ITT Aerospace Controls

Issue 0

Drawing	Sheets	Rev.	Date (Stamp)	Title
AD100P***7	1 of 3	M	09 Feb 23	100P Pressure Switches Enc 7
AD100P***7	2 of 3	L	07 Jan 22	100P Pressure Switches Enc 7
AD100P***7	3 of 3	L	07 Jan 22	100P Pressure Switches Enc 7



UK UK
CANI