



1 **EU-TYPE EXAMINATION CERTIFICATE**

2 Equipment intended for use in Potentially Explosive Atmospheres Directive 2014/34/EU

3 Certificate Number: **Sira 10ATEX1018X** Issue: **4**

4 Equipment: **100P Range of Pressure Operated Switches**

5 Applicant: **ITT Aerospace Controls**

6 Address: **28150 Industry Drive
Valencia
California 91355
USA**

7 This equipment and any acceptable variation thereto is specified in the schedule to this certificate and the documents therein referred to.

8 CSA Group Netherlands B.V., notified body number 2813 in accordance with Articles 17 and 21 of Directive 2014/34/EU of the European Parliament and of the Council, dated 26 February 2014, certifies that this equipment has been found to comply with the Essential Health and Safety Requirements relating to the design and construction of equipment intended for use in potentially explosive atmospheres given in Annex II to the Directive.

The examination and test results are recorded in the confidential reports listed in Section 14.2.

9 Compliance with the Essential Health and Safety Requirements, with the exception of those listed in the schedule to this certificate, has been assured by compliance with the following documents:

EN 60079-0:2009 EN 60079-1:2007 IEC 60079-31:2008 Ed 1

10 If the sign 'X' is placed after the certificate number, it indicates that the equipment is subject to Specific Conditions of Use identified in the schedule to this certificate.

11 This EU-Type Examination Certificate relates only to the design and construction of the specified equipment. If applicable, further requirements of this Directive apply to the manufacture and supply of this equipment.

12 The marking of the equipment shall include the following:



II 2 G D
Ex d IIB T6 Gb
Ex tb IIIC T85°C Db IP6X

Project Number 80066626

Signed: J A May

Title: Director of Operations

CSA Group Netherlands B.V.
Utrechtseweg 310, Building B42,
6812AR, Netherlands



SCHEDULE

EU-TYPE EXAMINATION CERTIFICATE

Sira 10ATEX1018X

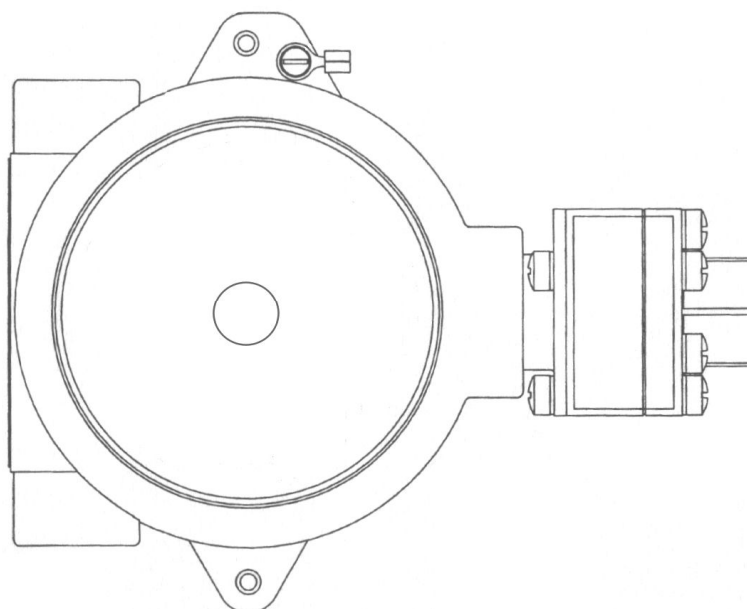
Issue 4

13 DESCRIPTION OF EQUIPMENT

The 100P Range of Pressure Operated Switches are pressure-Operated switches that are activated by a Belleville spring that snaps at a pre-determined force. They comprise a cylindrical, spring assembly mounted to a Killark Type HKB-BC enclosure both manufactured from aluminium. The spring assembly contains the Belleville spring and its associated operators. The Killark enclosure as detailed in certificate no, DEMKO 01ATEX015742U, contains an electrical switch and associated terminals. Connection to external circuits is via either of two 3/4"-14 NPT threaded cable entry points.

Variants.

Part No.	Description.
100P**C	- 480 V ac, 15 A; 125 V dc, 0.5 A RES, 0.04A IND
100P**CC	- 250 V ac, 11 A; 125 V dc, 0.5 A; 28 V dc, 3 A IND
100P**Z	- 480 V ac, 15 A; 125 V dc, 1 A RES, 0.5A IND
100P**C(M)	- 125 V ac, 1 A
100P**CC(M)	- 125 V ac, 1 A



Drawing of a 100P Pressure Operated Switch.

CSA Group Netherlands B.V.
Utrechtseweg 310, Building B42,
6812AR, Netherlands



SCHEDULE

EU-TYPE EXAMINATION CERTIFICATE

Sira 10ATEX1018X
Issue 4

Variation 1 - This variation introduced the following change:

- i. The recognition of the correct status of a previously certified drawing; this amendment is administrative and no technical modifications are involved.

Variation 2 - This variation introduced the following change:

- i. Minor drawing amendments to drawing number AD100P***7 sheet 1 of 3 to:
 - Update of component enclosure certificate number.
 - Include the ATEX Notified Body number 0518.
 - Reflect required marking detail and the introduction of a Special Condition for Safe Use.
- ii. Revision to product description to clarify the:
 - Correct component enclosure type reference.
 - Complete equipment ratings.
- iii. The reference to ITT Control Technologies, 242 Building, Ave Washington No 3701, Edif. 8, Parque Industrial Las Americas, Chihuahua, Mexico was removed from the Applicant on page 1.

Variation 3 - This variation introduced the following change:

- i. The applicant's name was changed from ITT Control Technologies to ITT Aerospace Controls.

14 DESCRIPTIVE DOCUMENTS

14.1 Drawings

Refer to Certificate Annexe.

14.2 Associated Sira Reports and Certificate History

Issue	Date	Report number	Comment
0	1 July 2010	R18834A/00	The release of prime certificate.
1	23 December 2010	R23968A/00	The introduction of Variation 1.
2	17 May 2013	R29733A/00	The introduction of Variation 2.
3	13 August 2015	R70040099B	The introduction of Variation 3.

CSA Group Netherlands B.V.
Utrechtseweg 310, Building B42,
6812AR, Netherlands



SCHEDULE

EU-TYPE EXAMINATION CERTIFICATE

Sira 10ATEX1018X
Issue 4

Issue	Date	Report number	Comment
4	18 December 2020	R80066626A	This Issue covers the following changes: <ul style="list-style-type: none">• EC Type-Examination Certificate in accordance with 94/9/EC updated to EU Type-Examination Certificate in accordance with Directive 2014/34/EU. (In accordance with Article 41 of Directive 2014/34/EU, EC Type-Examination Certificates referring to 94/9/EC that were in existence prior to the date of application of 2014/34/EU (20 April 2016) may be referenced as if they were issued in accordance with Directive 2014/34/EU. Variations to such EC Type-Examination Certificates may continue to bear the original certificate number issued prior to 20 April 2016.)• Transfer of certificate Sira 10ATEX1018X from Sira Certification Service to CSA Group Netherlands B.V..• The Applicant's name was amended in the certificate to recognise the change at Variation 3.

15 SPECIFIC CONDITIONS OF USE (denoted by X after the certificate number)

- 15.1 The setscrew that secures the threaded cover shall only be replaced with a 0.138-32 UNC-2A (6-32) socket head cap screw, 300 Series CRES or CAD plated Grade 5 steel.
- 15.2 The 100P Range of Pressure Operated Switches is suitable for use within an ambient temperature range of -40°C to +75°C.

16 ESSENTIAL HEALTH AND SAFETY REQUIREMENTS OF ANNEX II (EHSRs)

The relevant EHSRs that are not addressed by the standards listed in this certificate have been identified and individually assessed in the reports listed in Section 14.2.

17 CONDITIONS OF MANUFACTURE

- 17.1 The use of this certificate is subject to the Regulations Applicable to Holders of CSA Certificates.
- 17.2 Holders of EU-Type Examination Certificates are required to comply with the conformity to type requirements defined in Article 13 of Directive 2014/34/EU.

CSA Group Netherlands B.V.
Utrechtseweg 310, Building B42,
6812AR, Netherlands

Certificate Annexe



Certificate Number: Sira 10ATEX1018X
Equipment: 100P Range of Pressure Operated Switches
Applicant: ITT Aerospace Controls

Issue 0

Drawing	Sheets	Rev.	Date (Sira stamp)	Title
AD100P***7	1 of 3	C	03 Jun 10	100P Pressure Switches Enc 7
AD100P***7	2 of 3	C	26 Feb 10	100P Pressure Switches Enc 7
AD100P***7	3 of 3	C	26 Feb 10	100P Pressure Switches Enc 7

Issue 1

Drawing	Sheets	Rev.	Date (Sira stamp)	Title
AD100P***7	1 to 3	D	20 Dec 10	100P Pressure Switches Enc 7

Note: The drawing introduced under this Issue replaces the previous version approved in Issue 0.

Issue 2

Drawing	Sheets	Rev.	Date (Sira stamp)	Title
AD100P***7	1 to 3	H	8 Apr 13	100P Pressure Switches Enc 7

Issue 3 - No new drawings were introduced.

Issue 4 - No new drawings were introduced.

CSA Group Netherlands B.V.
Utrechtseweg 310, Building B42,
6812AR, Netherlands