

Series 200P Pressure Switch/Internal Adjustment

Versatile Nega-Rate® Belleville disc spring pressure switch for use in hazardous areas. Series 200P (piston sensor) for hydraulic applications up to 10000 psig system pressure.

Operating Pressure Data

Adjustable Range Number	Adjustable Set Point Range		Deadband† (approximate)				Maximum Recommended System Pressure	Proof Pressure
	Increasing	Decreasing	Min.	Bar	Max.	Bar		
2	20 to 220	14 to 202	6	0.41	18	1.24	3000	4500
3	200 to 1500	150 to 1275	50	3.45	225	15.51	7500	10000
6	500 to 3000	375 to 2700	125	8.62	300	20.68	7500	10000
8	1000 to 10000	800 to 9000	200	13.79	1000	68.95	10000*	15000**

All values given in psig.

†The deadband increases as the adjustable set point is increased.

*Diminished safety factor equal to approximately 2:1.

**Diminished safety factor equal to approximately 1.3:1.

Standard Specifications

Electrical

Snap action electrical switch assemblies, Part Numbers 057-0770 & 057-0772 (Form C) and 057-0771 & 057-0773 (Form CC), are listed by Underwriters' Laboratories, Inc., FM Approvals, CSA International and NCC (INMETRO). See the miscellaneous option N for additional listings.

Electrical Connection

1/2 NPT male conduit connection with PVC insulated 18 AWG, 18" long leads

Pressure Connection

Wetted Material 1
1/4 NPT Female

Temperature Range*

Ambient: -40°F to +180°F
(-40°C to +82°C)

Media: -40°F to +300°F
(-40°C to +149°C)

*Temperature limits change with O-Ring selection. See Electrical Assembly specification sheet for Temperature Class Ratings.

Adjustment

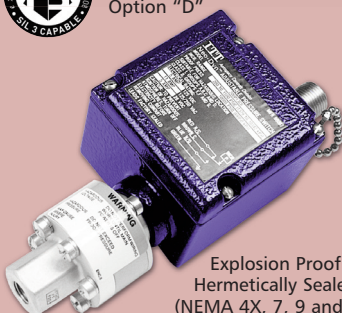
Concealed wrench flat adjustment with range scale

Shipping Weight

Approximately 3 pounds



Order Miscellaneous Option "D"



Explosion Proof Hermetically Sealed (NEMA 4X, 7, 9 and 13)

Ordering Sequence — Select desired option for each category

OPTIONS

Wetted Material

1 Aluminum port and piston, Teflon seal and Buna-N O-Ring

Adjustable Range

2 14 psig dec. to 220 psig inc. (1.0 bar dec. to 15.2 bar inc.)
 3 150 psig dec. to 1500 psig inc. (10.3 bar dec. to 103.4 bar inc.)
 6 375 psig dec. to 3000 psig inc. (25.9 bar dec. to 206.9 bar inc.)
 8 800 psig dec. to 10000 psig inc. (55.2 bar dec. to 689.5 bar inc.)

Electrical Form

C 11 amp, 1/4 hp at 125 or 250 VAC; 5 amp resistive, 3 amp inductive at 28 VDC; .5 amp resistive at 125 VDC
 CC 11 amp, 1/4 hp at 125 or 250 VAC; 5 amp resistive, 3 amp inductive at 28 VDC; .5 amp resistive at 125 VDC

Enclosure

6 Includes an explosion proof, hermetically-sealed electrical assembly. EX d IIC. Division 1 and 2, Class I, Groups A, B, C, and D; Class II, Groups E, F, and G. NEMA 4X, 7, and 9; IP66. Leads are factory sealed and Pressure Switches are Dual Seal Certified.

Miscellaneous

A Epoxy paint exterior — extra protection for severe environments
 B Viton O-Ring
 C EPR O-Ring
 D SIL approval and marking, per IEC61508 (includes FMEA report)
 E 7/16" - 20 SAE Female Port
 I 3/4 NPT conduit box with terminal strip (Groups C & D only, not available with N option)
 M Gold electrical contacts for extremely low current applications (1 Amp at 125 VAC; 1 Amp Res, 0.5 Amp Ind. at 28 VDC)
 N ATEX and IECEx with CE Mark
 R 72" Electrical free leads
 U M20 x 1.5 Electrical Conduit Adapter
 W Stainless steel screws — exterior

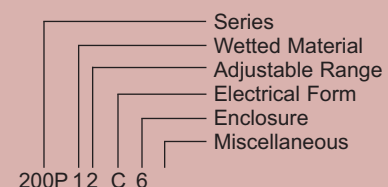
Special (Consult representative or factory)

- Non-catalog adjustable range and/or set point, deadband and proof pressure
- Media temperature capability from -65°F to +400°F

Ordering Procedure

- When factory presetting is desired, stipulate set point, increasing or decreasing
- Insert available option number or letter designation as required

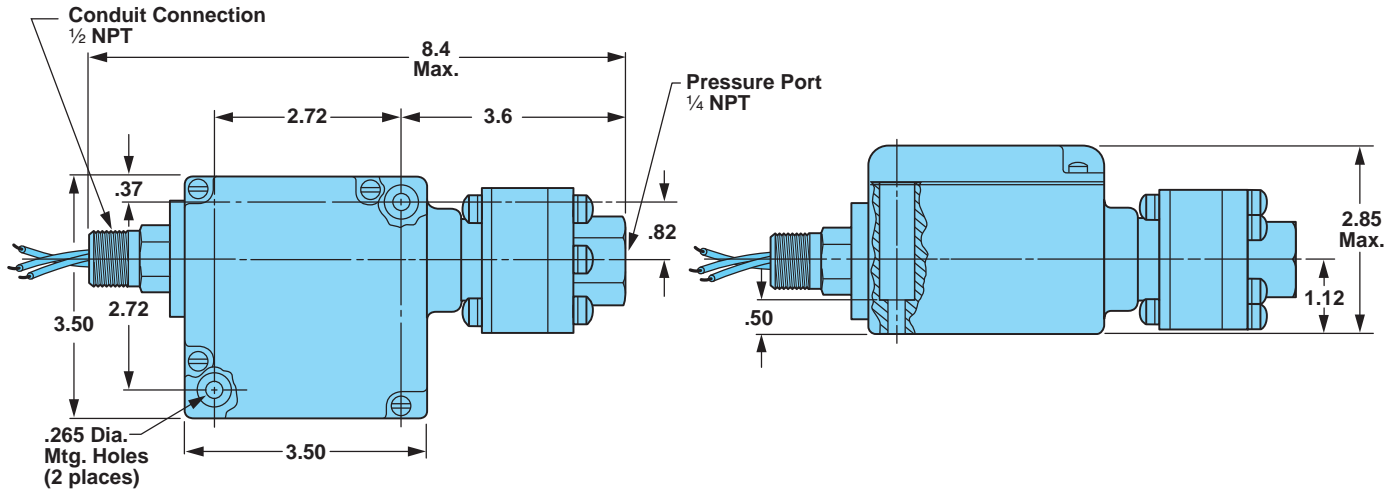
Example



Series 200P Pressure Switch/Internal Adjustment

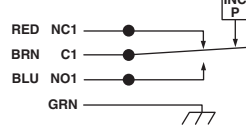
Field Adjustable
14 to 10000 psig

Envelope Dimensions

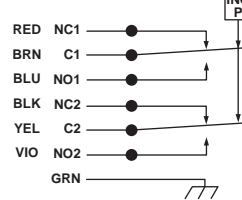


Electrical Form

FORM "C"
(SPDT)



FORM "CC"
(DPDT)



Basic Principles of Design

