

Series 122P8 Pressure Switch/Internal Adjustment

Compact, adjustable pressure switch for low to mid-range process applications. Efficient Nega-Rate® Belleville disc spring for set point stability and vibration resistance. Wide selection of wetted materials, 316 stainless steel body and interior, plus hermetically sealed explosion-proof electrical make this switch ideal for chemical process applications.

Operating Pressure Data

Adjustable Range Number	Adjustable Set Point Range		Deadband (approximate)	Maximum Recommended System Pressure	Proof Pressure
	Increasing	Decreasing			
2	3 to 30	1 to 28	2	1350	2000
4	20 to 80	15 to 75	5	1350	2000
0	80 to 130	67 to 117	13	1350	2000
5	50 to 250	30 to 230	20	4000*	6000*
6	200 to 400	175 to 375	25	4000*	6000*
7	375 to 725	330 to 680	45	4000*	6000*
8	700 to 1500	620 to 1420	80	4000*	6000*
9	1500 to 2300	1400 to 2200	100	4000*	6000*

All values given in psig.

* See Miscellaneous T higher pressures

Standard Specifications

Electrical

Snap action electrical switch assemblies, Part Numbers 057-0770 & 057-0772 (Form C) and 057-0771 & 057-0773 (Form CC), are listed by Underwriters' Laboratories, Inc., FM Approvals, CSA International and NCC (INMETRO). See the miscellaneous option N for additional listings.

Electrical Connection

1/2 NPT male conduit connection with PVC insulated 18 AWG, 18" long leads

Pressure Connection

1/2 NPT Female

Temperature Range*

Ambient: -40°F to +180°F

(-40°C to +82°C)

Media: -40°F to +250°F

(-40°C to +121°C)

*Temperature limits change with O-Ring selection. See Electrical Assembly specification sheet for Temperature Class Ratings.

Adjustment

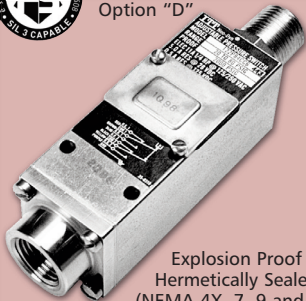
Internal, slotted adjustment nut with range scale

Shipping Weight

Approximately 2 pounds



Order Miscellaneous Option "D"



Explosion Proof Hermetically Sealed (NEMA 4X, 7, 9 and 13)

Ordering Sequence — Select desired option for each category

OPTIONS

Adjustable Range

2	1 psig dec. to 30 psig inc.	(0.1 bar dec. to 2.1 bar inc.)
4	15 psig dec. to 80 psig inc.	(1.0 bar dec. to 5.5 bar inc.)
0	67 psig dec. to 130 psig inc.	(4.6 bar dec. to 9.0 bar inc.)
5	30 psig dec. to 250 psig inc.	(2.1 bar dec. to 17.2 bar inc.)
6	175 psig dec. to 400 psig inc.	(12.1 bar dec. to 27.6 bar inc.)
7	330 psig dec. to 725 psig inc.	(22.8 bar dec. to 50.0 bar inc.)
8	620 psig dec. to 1500 psig inc.	(42.7 bar dec. to 103.4 bar inc.)
9	1400 psig dec. to 2300 psig inc.	(96.5 bar dec. to 158.6 bar inc.)

Electrical Form

C 11 amp, 1/4 hp at 125 or 250 VAC; 5 amp resistive, 3 amp inductive at 28 VDC;

.5 amp resistive at 125 VDC

CC 11 amp, 1/4 hp at 125 or 250 VAC; 5 amp resistive, 3 amp inductive at 28 VDC;

.5 amp resistive at 125 VDC

Enclosure

6 Includes an explosion proof, hermetically-sealed electrical assembly. EX d IIC. Division 1 and 2, Class I, Groups A, B, C, and D; Class II, Groups E, F, and G. NEMA 4X, 7, and 9; IP66. Leads are factory sealed and Pressure Switches are Dual Seal Certified.

Miscellaneous

D SIL approval and marking, per IEC61508 (includes FMEA report)

I 3/4 NPT conduit box with terminal strip (Groups C & D only, not available with N option)

M Gold electrical contacts for extremely low current applications

(1 Amp at 125 VAC; 1 Amp Res, 0.5 Amp Ind. at 28 VDC)

N ATEX and IECEX with CE Mark

O Oxygen clean (wetted material 5, 7 & 9 only)

R 72" Electrical free leads

T 6300 psig system, 9450 psig proof, 410 stainless steel screws (Range 5, 6, 7, 8 & 9 only)

U M20 x 1.5 Electrical Conduit Adapter

Port Material

4 316 Stainless Steel

5 316 Stainless Steel — welded diaphragm (add 40)

7 Hastelloy C — welded Hastelloy diaphragm (add 70)

Diaphragm

1 Polyimide

4 316 Stainless Steel

6 Tantalum

Internal O-Rings

0 Welded (Port Material 5, 7 & 9 only)

2 Kalrez

3 Viton

Special (Consult representative or factory)

- Non-catalog adjustable range and/or set point and deadband

8 Monel
9 Monel — welded Inconel diaphragm (add 90)

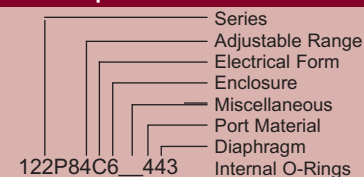
7 Hastelloy C
9 Inconel

5 EPR
8 Buna-N

Ordering Procedure

- When factory presetting is desired, stipulate set point, increasing or decreasing
- Insert available option number or letter designation as required

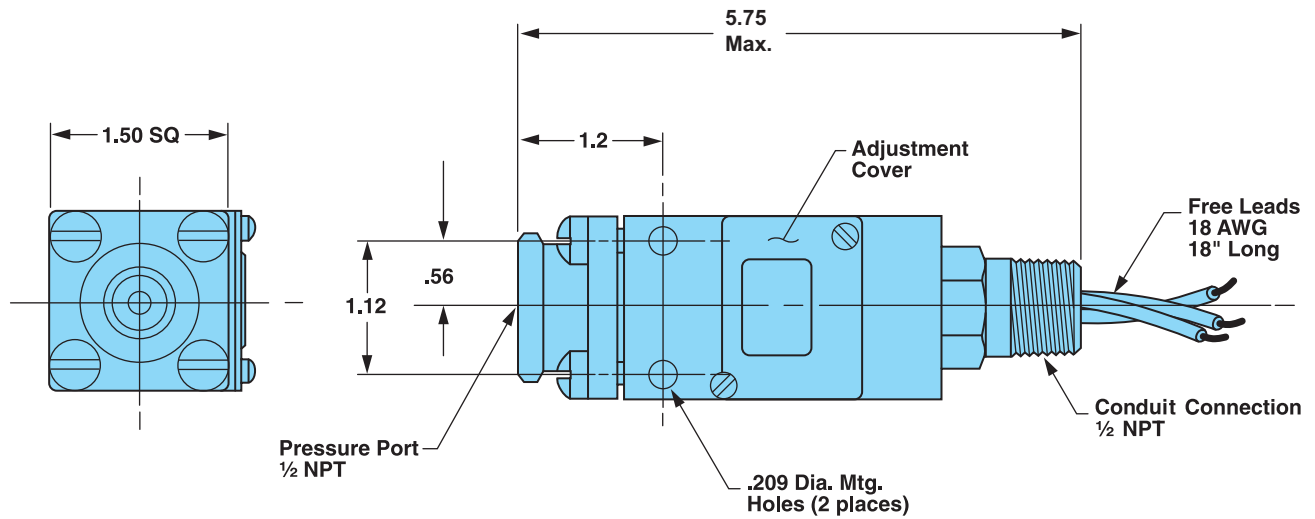
Example



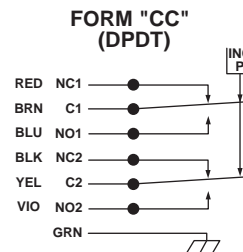
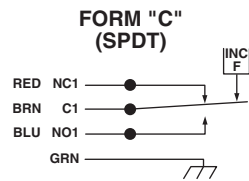
Series 122P8 Pressure Switch/Internal Adjustment

Field Adjustable
1 to 2300 psig

Envelope Dimensions



Electrical Form



Basic Principles of Design

