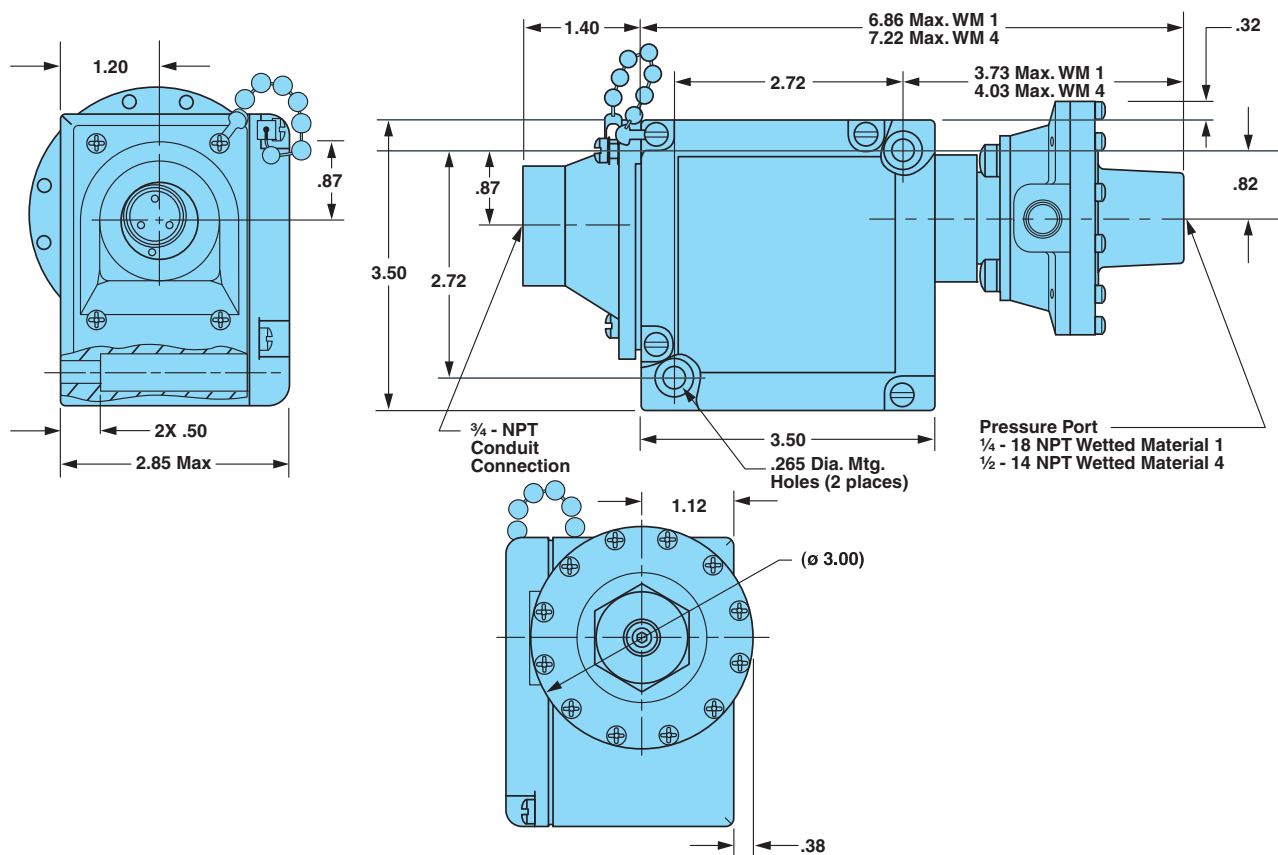




**Envelope Dimensions**



**Electrical Form**



**Basic Principles of Design**

