

Neo-Dyn® P/N 086-0048 Junction Box

Explosion Proof Junction Box with terminal strip electrical connections. Suitable for Div 1 hazardous areas when used in conjunction with any Enclosure 6 electrical used on Neo-Dyn Pressure or Temperature Switches.

Standard Specifications

Electrical Connection

3/4 NPT female conduit connection

Area Classification

Suitable for use in Div 1, Class I, Groups C & D; Class II, Group E, F & G hazardous locations in accordance with NFPA 70

Wiring Guide

Terminal strips will accept 14 to 20 AWG wire when installed in accordance with NFPA 70



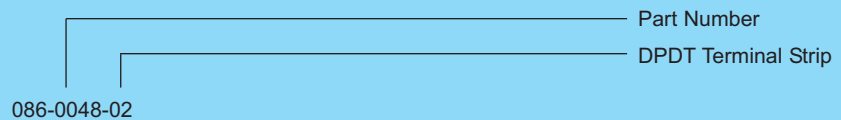
Ordering Sequence

OPTIONS

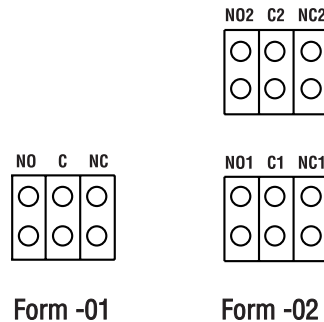
Electrical Form

- 01 SPDT Terminal Strip with markings to indicate normally open (NO), common (C) and normally closed (NC)
- 02 DPDT Terminal Strip with markings to indicate two normally open (NO1, NO2), two common (C1, C2) and two normally closed (NC1, NC2) terminals

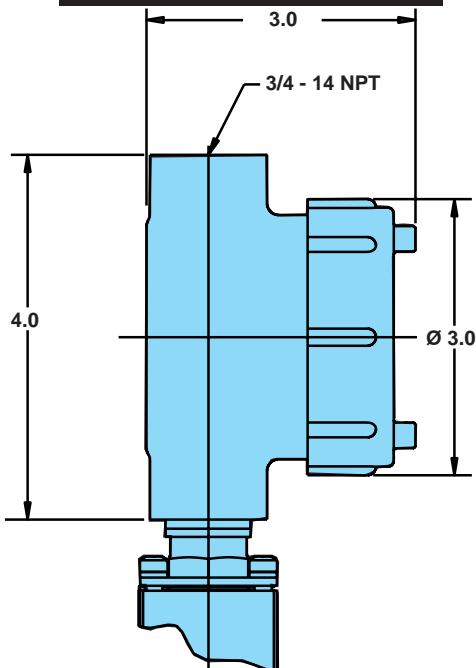
Example



Wiring Diagram



Envelope Dimensions



Basic Principles of Design

