

# Neo-Dyn® Series 200P Pressure Switch/Internal Adjustment

Versatile Nega-Rate® Belleville disc spring pressure switch for use in hazardous areas. Series 200P (piston sensor) for hydraulic applications up to 10000 psig system pressure.

## Operating Pressure Data

Adjustable Range Number	Adjustable Set Point Range		Deadband† (approximate)				Maximum Recommended System Pressure	Proof Pressure
	Increasing	Decreasing	Min.	Bar	Max.	Bar		
2	20 to 220	14 to 202	6	0.41	18	1.24	3000	4500
3	200 to 1500	150 to 1275	50	3.45	225	15.51	7500	10000
6	500 to 3000	375 to 2700	125	8.62	300	20.68	7500	10000
8	1000 to 10000	800 to 9000	200	13.79	1000	68.95	10000*	15000**

All values given in psig.

†The deadband increases as the adjustable set point is increased.

\*Diminished safety factor equal to approximately 2:1.

\*\*Diminished safety factor equal to approximately 1.3:1.

## Standard Specifications

### Electrical

Snap action electrical switch assembly listed by Underwriters' Laboratories, Inc., Factory Mutual and CSA International

### Electrical Connection

½ NPT male conduit connection with PVC insulated 18 AWG, 18" long leads

### Pressure Connection

Wetted Material 1  
¼ NPT Female

### Temperature Range\*

Ambient: -40°F to +180°F  
(-40°C to +82°C)

Media: -40°F to +300°F  
(-40°C to +149°C)

\*Temperature limits change with O-Ring selection. See Electrical Assembly specification sheet for Temperature Class Ratings.

### Adjustment

Concealed wrench flat adjustment with range scale

### Shipping Weight

Approximately 3 pounds



## Ordering Sequence — Select desired option for each category

### OPTIONS

#### Wetted Material

1 Aluminum port and piston, Teflon seal and Buna-N O-Ring

#### Adjustable Range

2 14 psig dec. to 220 psig inc. (1.0 bar dec. to 15.2 bar inc.)

3 150 psig dec. to 1500 psig inc. (10.3 bar dec. to 103.4 bar inc.)

6 375 psig dec. to 3000 psig inc. (25.9 bar dec. to 206.9 bar inc.)

8 800 psig dec. to 10000 psig inc. (55.2 bar dec. to 689.5 bar inc.)

#### Electrical Form

C 11 amp, ¼ hp at 125 or 250 VAC; 5 amp resistive, 3 amp inductive at 28 VDC; .5 amp resistive at 125 VDC

CC 11 amp, ¼ hp at 125 or 250 VAC; 5 amp resistive, 3 amp inductive at 28 VDC; .5 amp resistive at 125 VDC

#### Enclosure

6 Explosion proof, hermetically-sealed electrical assembly, leads factory sealed, P/N 057-0770 (C Form) and P/N 057-0771 (CC Form); **Underwriters' Laboratories, Inc.** listed (File E56677), **CSA International** certified (File LR34146) and **Factory Mutual** approved (File J.I.1R5A9.AE) for Division 1 and 2; Class I, Groups A, B, C and D; Class II, Groups E, F and G Hazardous Locations; NEMA Type 7 and 9.

#### Miscellaneous

A Epoxy paint exterior — extra protection for severe environments

B Viton O-Ring

C EPR O-Ring

E 7/16" - 20 SAE Female Port

I ¾ NPT conduit box with terminal strip (Groups C & D only, not available with N option)

M Gold electrical contacts for extremely low current applications

N ATEX approval with CE Mark

R 72" Electrical free leads

W Stainless steel screws — exterior

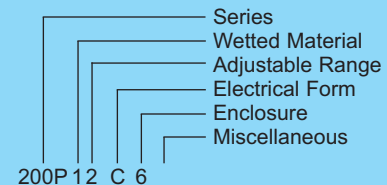
#### Special (Consult representative or factory)

- Non-catalog adjustable range and/or set point, deadband and proof pressure
- Media temperature capability from -65°F to +400°F

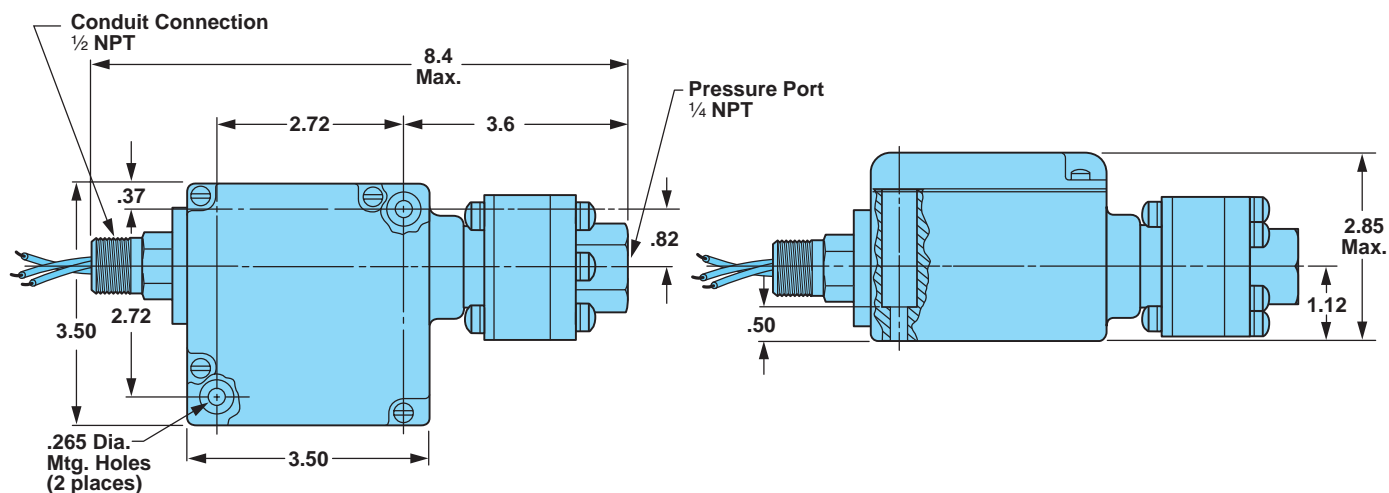
## Ordering Procedure

- When factory presetting is desired, stipulate set point, increasing or decreasing
- Insert available option number or letter designation as required

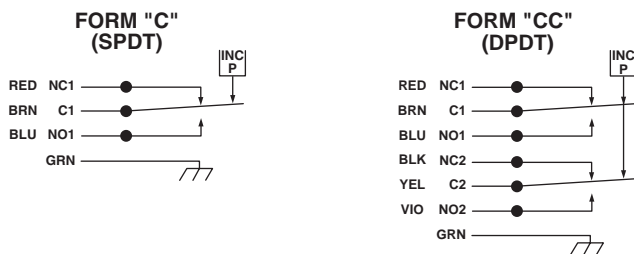
## Example



## Envelope Dimensions



## Electrical Form



## Basic Principles of Design

