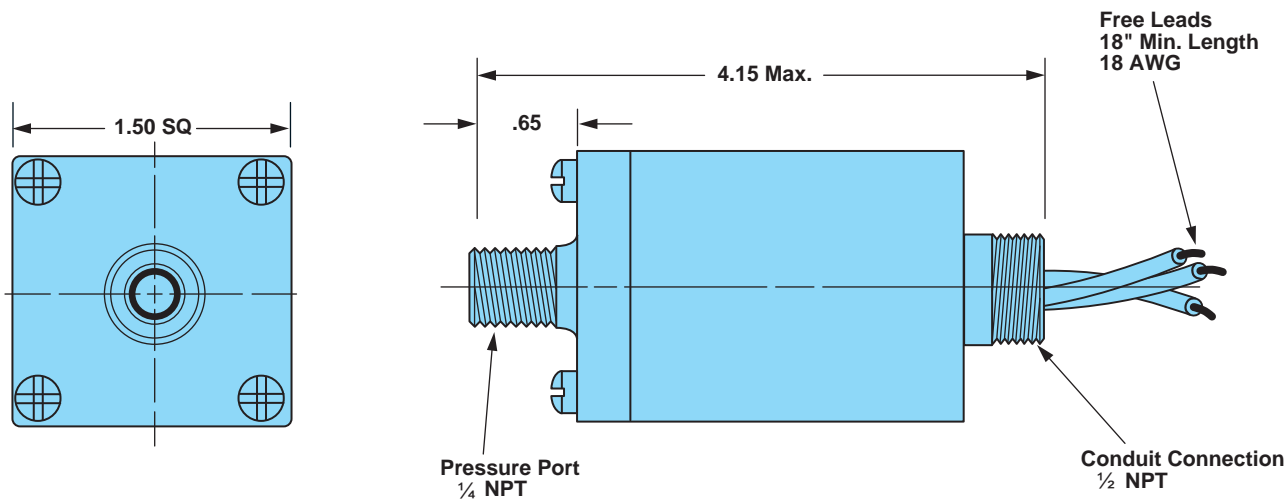
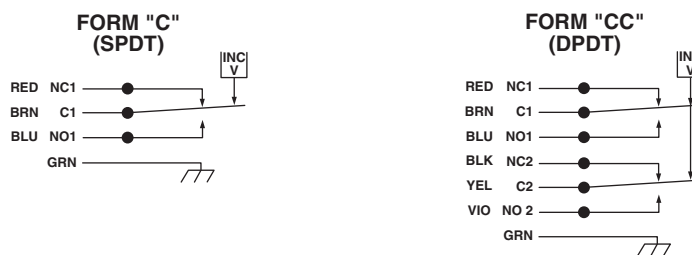




## Envelope Dimensions



## Electrical Form



## Basic Principles of Design

