

Neo-Dyn® Series 132P Pressure Switch/Internal Adjustment

Compact, adjustable pressure switch for pneumatic or low impulse hydraulic process applications. Efficient Nega-Rate® Belleville disc spring for set point stability and vibration resistance.

Operating Pressure Data

Adjustable Range Number	Adjustable Set Point Range		Deadband (approximate)	Maximum Recommended System Pressure	Proof Pressure
	Increasing	Decreasing			
8	3 to 30	1 to 28	2	1350	2000
9	20 to 80	15 to 75	5	1350	2000
0	80 to 130	67 to 117	13	1350	2000
1	50 to 250	30 to 230	20	5000	7500
2	200 to 400	175 to 375	25	5000	7500
4	375 to 725	330 to 680	45	5000	7500
6	700 to 1500	620 to 1420	80	6300	7500
7	1500 to 2300	1400 to 2200	100	6300	7500

All values given in psig.

Standard Specifications

Electrical

Snap action electrical switch recognized by Underwriters' Laboratories, Inc. and CSA International

Electrical Connection

½ NPT male conduit connection with PVC insulated 18 AWG, 18" long leads

Pressure Connection

¼ NPT Female

Temperature Range*

Ambient: -40°F to +180°F
(-40°C to +82°C)

Media: -40°F to +250°F
(-40°C to +121°C)

* Temperature limits change with O-Ring selection

Adjustment

Internal, slotted adjustment nut with range scale

Shipping Weight

Approximately 20 ounces



Weather Proof
(NEMA 4 and 13)

Ordering Sequence — Select desired option for each category

OPTIONS

Wetted Material

- 4 316 stainless steel port and diaphragm, Buna-N O-Ring
- 5 316 stainless steel port and diaphragm heliarc welded

Adjustable Range

8	1 psig dec.	to	30 psig inc.	(0.1 bar dec.	to	2.1 bar inc.)
9	15 psig dec.	to	80 psig inc.	(1.0 bar dec.	to	5.5 bar inc.)
0	67 psig dec.	to	130 psig inc.	(4.6 bar dec.	to	9.0 bar inc.)
1	30 psig dec.	to	250 psig inc.	(2.1 bar dec.	to	17.2 bar inc.)
2	175 psig dec.	to	400 psig inc.	(12.1 bar dec.	to	27.6 bar inc.)
4	330 psig dec.	to	725 psig inc.	(22.8 bar dec.	to	50.0 bar inc.)
6	620 psig dec.	to	1500 psig inc.	(42.7 bar dec.	to	103.4 bar inc.)
7	1400 psig dec.	to	2300 psig inc.	(96.5 bar dec.	to	158.6 bar inc.)

Electrical Form

- C 11 amp, ¼ hp 125 or 250 VAC; 5 amp resistive, 3 amp inductive at 28 VDC; .5 amp resistive at 125 VDC
- CC 11 amp, ¼ hp 125 or 250 VAC; 5 amp resistive, 3 amp inductive at 28 VDC; .5 amp resistive at 125 VDC

Enclosure

- 3 Meets or exceeds the requirements of NEMA Type 3, 3R, 3S, 4, 4X and 13--

Miscellaneous

- A Epoxy paint exterior — extra protection for severe environments
- B Viton O-Ring
- C EPR O-Ring
- E ¼" - 20 SAE Female Port
- G ½ NPT Female Port
- I ¾ NPT Conduit Box with Terminal Strip
- J Annealed stainless steel port screws for H₂S environments — Consult factory for reduced system and proof pressure ratings
- M Gold electrical contacts for extremely low current applications
- O Cleaned for oxygen service
- R 72" Electrical free leads
- X UL and CSA Approval and CE Marked

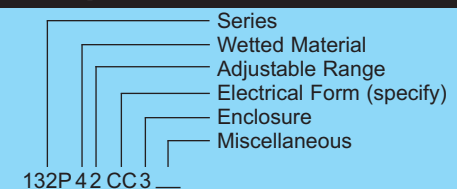
Special (Consult representative or factory)

- Non-catalog adjustable range and/or set point, deadband and proof pressure

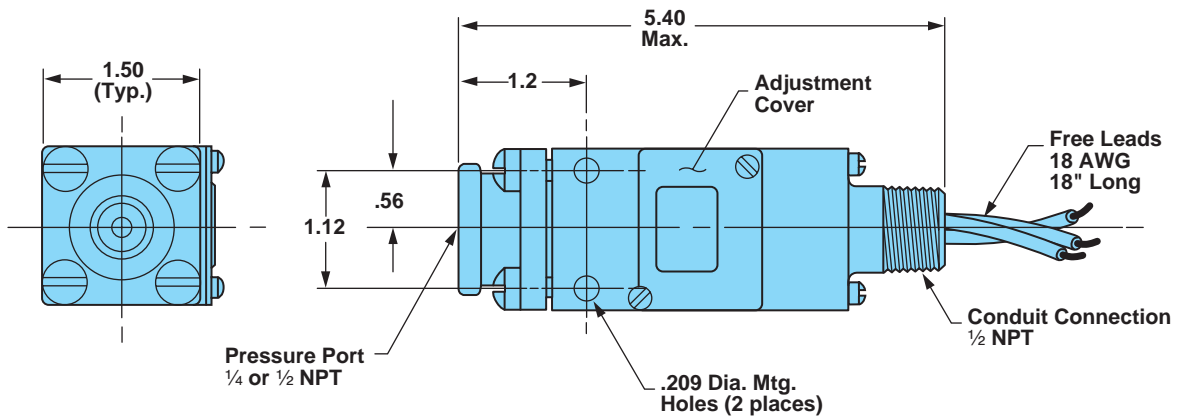
Ordering Procedure

- When factory presetting is desired, stipulate set point, increasing or decreasing
- Insert available option number or letter designation as required

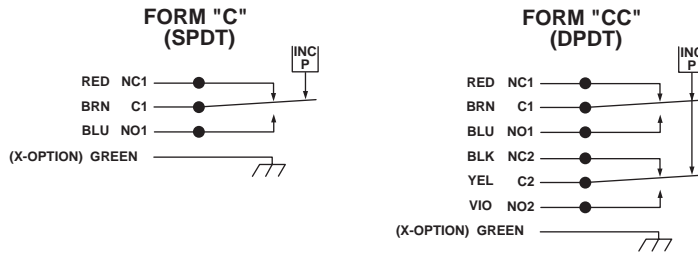
Example



Envelope Dimensions



Electrical Form



Basic Principles of Design

