

# Neo-Dyn® Series 131P Pressure Switch/Internal Adjustment

Compact, adjustable pressure switch for pneumatic or low impulse hydraulic process applications. Using our efficient Nega-Rate® Belleville disc spring, we offer superior set point stability and vibration resistance. The 131P series pressure switch also has a selectable deadband feature which can be preset to fit most any application.

## Operating Pressure Data

Adjustable Range Number	Adjustable Set Point Range		Selectable Deadband	Default Deadband (approx.)	Maximum Recommended System Pressure	Proof Pressure
	Increasing	Decreasing				
2	*	1 to 24	1.5 to 2	1.9	1000	2000
3	*	17 to 42	3 to 6	4.5	1000	2000
4	*	1 to 50	6 to 11	8	1000	2000
5	*	45 to 100	7 to 11	8	1000	2000
6	*	90 to 150	7 to 17	12	1000	2000
7	*	140 to 200	11 to 21	16	1000	2000

All values given in psig unless otherwise noted.

\* Add selected deadband to decreasing pressure range.

## Standard Specifications

### Electrical Listings

Snap action electrical switch recognized by Underwriters' Laboratories, Inc. and CSA International

### Electrical Connection

½ NPT male conduit connection with PVC insulated 18 AWG, 18" long leads

### Pressure Connection

¼ NPT Female and  
½ NPT Male

### Temperature Range\*

Ambient: -40°F to +180°F  
(-40°C to +82°C)

Media: -40°F to +300°F  
(-40°C to +149°C)

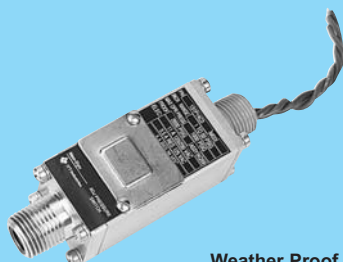
\* Temperature limits change with O-Ring selection

### Adjustment

Internal, slotted adjustment wheel

### Shipping Weight

Approximately 20 ounces



Weather Proof  
(NEMA 4X and 13)

## Ordering Sequence — Select desired option for each category

### OPTIONS

#### Wetted Material

- 1 Aluminum port, polyimide diaphragm, Buna-N O-Ring
- 4 316 stainless steel port, polyimide diaphragm, Buna-N O-Ring

#### Adjustable Range

- 2 1 psig dec. to 26 psig inc. (.069 bar dec. to 1.79 bar inc.)
- 3 17 psig dec. to 46 psig inc. (1.17 bar dec. to 3.17 bar inc.)
- 4 1 psig dec. to 58 psig inc. (.069 bar dec. to 4.00 bar inc.)
- 5 45 psig dec. to 108 psig inc. (3.10 bar dec. to 7.44 bar inc.)
- 6 90 psig dec. to 162 psig inc. (6.21 bar dec. to 11.1 bar inc.)
- 7 140 psig dec. to 216 psig inc. (9.65 bar dec. to 14.9 bar inc.)

#### Electrical Form

- C 11 amp, ¼ hp at 125 or 250 VAC; 5 amp resistive, 3 amp inductive at 28 VDC; .5 amp resistive at 125 VDC
- CC 11 amp, ¼ hp at 125 or 250 VAC; 5 amp resistive, 3 amp inductive at 28 VDC; .5 amp resistive at 125 VDC

#### Enclosure

- 3 Meets or exceeds the requirements of NEMA Type 3, 3R, 3S, 4, 4X and 13

#### Miscellaneous

- A Epoxy paint exterior — extra protection for severe environments
- B Viton O-Ring
- C EPR O-Ring
- E 7/16" - 20 SAE Female Port
- G ½ NPT Female Port
- I ¾ NPT Conduit box with terminal strip
- J Annealed stainless steel port screws for H<sub>2</sub>S environments — Consult factory for reduced system and proof pressure ratings (Not available with X option)
- M Gold electrical contacts for extremely low current applications
- R 72" Electrical free leads
- S Stainless steel diaphragm
- V ¼ NPT male port
- X UL and CSA Approval and CE Mark
- Z Mounting bracket kit

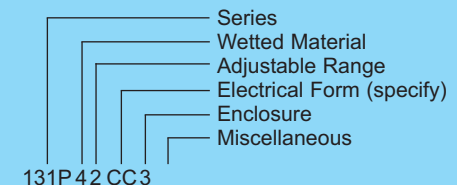
#### Special (Consult representative or factory)

- Non-catalog adjustable range and/or set point, deadband and proof pressure

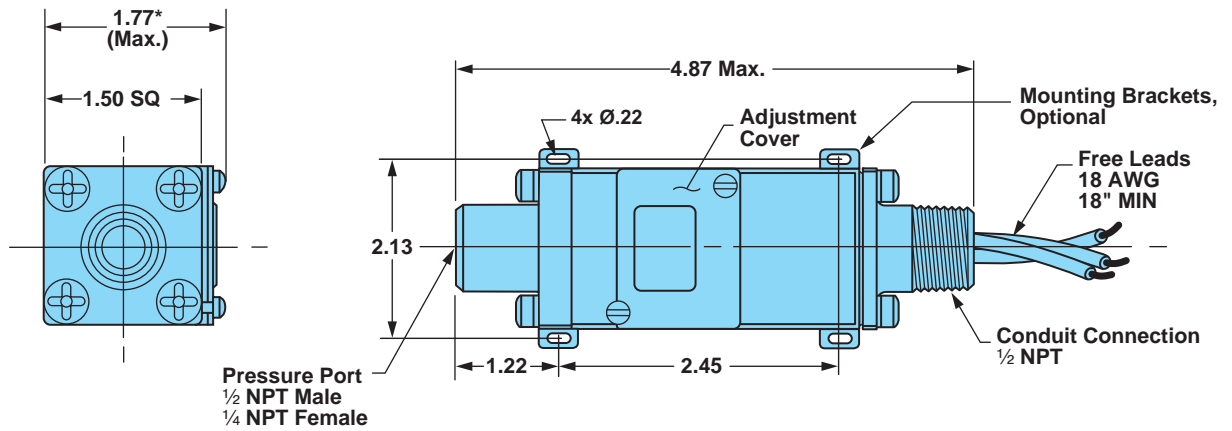
## Ordering Procedure

- When factory presetting is desired, stipulate set point, increasing or decreasing
- Insert available option number or letter designation as required
- When a selectable DB is desired, stipulate DB within allowed range

## Example

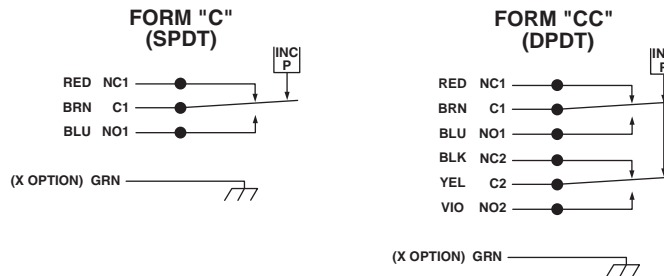


## Envelope Dimensions



\*1.90 Max. with Mounting Bracket

## Electrical Form



## Basic Principles of Design

