

# Neo-Dyn® Series 125P Pressure Switch/Tamper Proof

Designed for high pressure pneumatic or low impulse hydraulic applications requiring a narrow deadband. Has diaphragm sensor with efficient Nega-Rate® Belleville disc spring for excellent accuracy and repeatability.

## Operating Pressure Data

Series	Fixed Set Point Range		Maximum Recommended System Pressure	Proof Pressure
	Increasing	Decreasing		
125P	40 to 3050	20 to 2800	5000	7500

All values given in psig.

## Standard Specifications

### Deadband (Differential)

The deadband can be selected anywhere from 20 psig (1.38 bar) or 8% (whichever is greater) to 45% of the set point

### Electrical

Snap action electrical switch recognized by Underwriters' Laboratories, Inc. and CSA International

### Electrical Connection

½ NPT male conduit connection with PVC insulated  
18 AWG leads 18" long

### Pressure Connection

¼ NPT Female

### Temperature Range\*

Ambient: -40°F to +180°F  
(-40°C to +82°C)

Media: -40°F to +300°F  
(-40°C to +149°C)

\*Temperature limits change with O-Ring selection

### Shipping Weight

Approximately 10 ounces



Weather Proof  
(NEMA 4 and 13)

## Ordering Sequence — Select desired option for each category

### OPTIONS

#### Set Points

**125P** between 20 psig dec. and 3050 psig inc. (1.4 bar dec. and 210 bar inc.)

#### Wetted Material

- 1** Aluminum port, Teflon coated polyimide diaphragm and Buna-N O-Ring
- 4** 316 Stainless steel port, Teflon coated polyimide diaphragm and Buna-N O-Ring

#### Electrical Form

- C** 11 amp, ¼ hp at 125 or 250 VAC; 5 amp resistive, 3 amp inductive at 28 VDC; 5 amp resistive at 125 VDC
- CC** 11 amp, ¼ hp at 125 or 250 VAC; 5 amp resistive, 3 amp inductive at 28 VDC; 5 amp resistive at 125 VDC

#### Enclosure

- 3** Meets or exceeds the requirements of NEMA Type 3, 3R, 3S, 4, 4X and 13

#### Miscellaneous

- A** Epoxy paint exterior — extra protection for severe environments
- B** Viton O-Ring
- C** EPR O-Ring
- M** Gold electrical contacts for extremely low current applications
- R** 72" Electrical free leads
- W** Stainless steel screws — exterior
- X** CSA approved and CE Mark

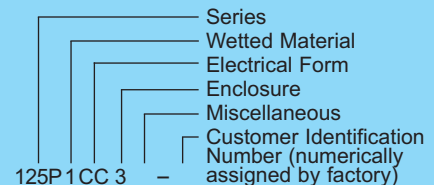
#### Special (Consult representative or factory)

- Pressure port per SAE AS4355E04
- Non-catalog set point, deadband and/or proof pressure
- Media temperature capability from -65°F to +350°F

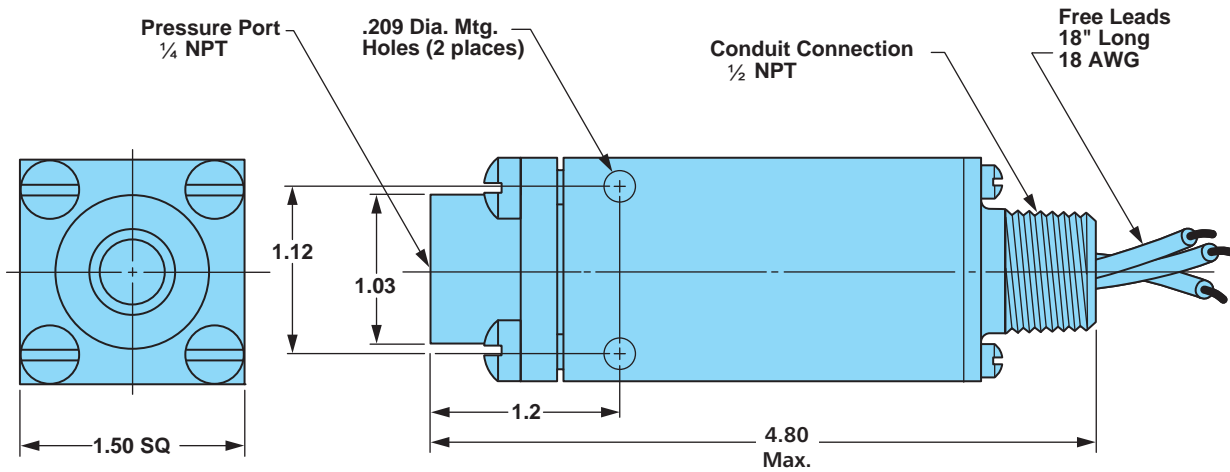
## Ordering Procedure

- Specify set point, increasing or decreasing
- Specify deadband if pertinent
- Specify media
- Insert available option number or letter as required

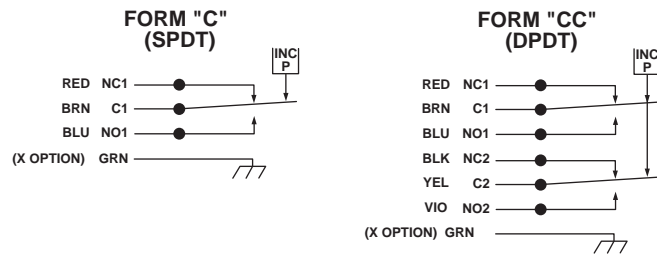
## Example



## Envelope Dimensions



## Electrical Form



## Basic Principles of Design

