

# Neo-Dyn® Series 110P Pressure Switch/Internal Adjustment

Sensitive Nega-Rate® Belleville spring adjustable pressure switch for low pressure applications.

## Operating Pressure Data

Adjustable Range Number	Adjustable Set Point Range		Deadband (approximate)	Maximum Recommended System Pressure	Proof Pressure
	Increasing	Decreasing			
2	10" H <sub>2</sub> O to 100" H <sub>2</sub> O	7" H <sub>2</sub> O to 97" H <sub>2</sub> O	3" H <sub>2</sub> O	300	500
4	3 to 15	2.75 to 14.75	.25*	300	500

All values given in psig.

\*Deadband increases to .4 psi (approx.) in "CC6" configuration.

## Standard Specifications

### Electrical

Snap action electrical switch listed by Underwriters' Laboratories, Inc., Factory Mutual and CSA International

### Electrical Connection

½ NPT male conduit connection with PVC insulated 18 AWG, 18" long leads

### Pressure Connection

Wetted Material 1  
¼ NPT Female

Wetted Material 4  
½ NPT Female

### Temperature Range\*

Ambient: -40°F to +180°F  
(-40°C to +82°C)

Media: -40°F to +300°F  
(-40°C to +149°C)

\*Temperature limits change with O-Ring selection. See Electrical Assembly specification sheet for Temperature Class Ratings.

### Adjustment

Concealed wrench flat adjustment with range scale

### Shipping Weight

Approximately 3 pounds



## Ordering Sequence — Select desired option for each category

### OPTIONS

#### Wetted Material

- 1 Aluminum port, Teflon coated polyimide diaphragm and Buna-N O-Ring
- 4 316 stainless steel port, Teflon coated polyimide diaphragm and Buna-N O-Ring

#### Adjustable Range

- 2 7" H<sub>2</sub>O dec. to 100" H<sub>2</sub>O inc. (17 millibar dec. to 249 millibar inc.)
- 4 2.75 psig dec. to 15 psig inc. (0.2 bar dec. to 1.0 bar inc.)

#### Electrical Form

- C 11 amp, ¼ hp at 125 or 250 VAC; 5 amp resistive, 3 amp inductive 28 VDC; .5 amp resistive at 125 VDC
- CC 11 amp, ¼ hp at 125 or 250 VAC; 5 amp resistive, 3 amp inductive 28 VDC; .5 amp resistive at 125 VDC

#### Enclosure

- 6 Explosion proof, hermetically-sealed electrical assembly, leads factory sealed, P/N 057-0770 (C Form) and P/N 057-0771 (CC Form); **Underwriters' Laboratories, Inc.** listed (File E56677), **CSA International** certified (File LR34146), and **Factory Mutual** approved (File J.I.1R5A9.AE) for Division 1 and 2; Class I, Groups A, B, C and D; Class II, Groups E, F and G Hazardous Locations; NEMA Type 7 and 9.

#### Miscellaneous

- A Epoxy paint exterior — extra protection for severe environments
- B Viton O-Ring
- C EPR O-Ring
- F Fire fuse — for fire-tested equipment (wetted material 4 only: not available with option G)
- G ½ NPT male port (wetted material 4 only)
- I ¾ NPT conduit box with terminal strip (Groups C & D only, not available with N option)
- M Gold electrical contacts for extremely low current applications
- N ATEX approved with CE Mark
- R 72" Electrical free leads
- S Stainless steel diaphragm (wetted material 4 only)
- W Stainless steel screws — exterior (standard with wetted material 4)

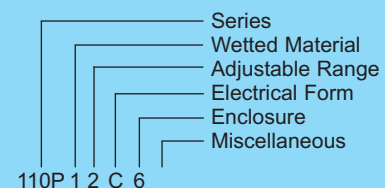
#### Special (Consult representative or factory)

- Non-catalog adjustable range and/or set point, deadband and proof pressure
- Chemical seals installed

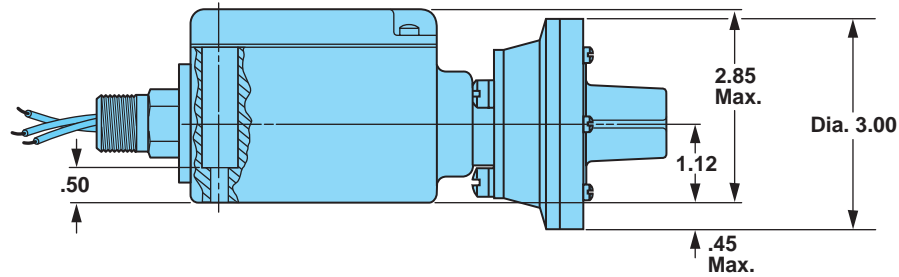
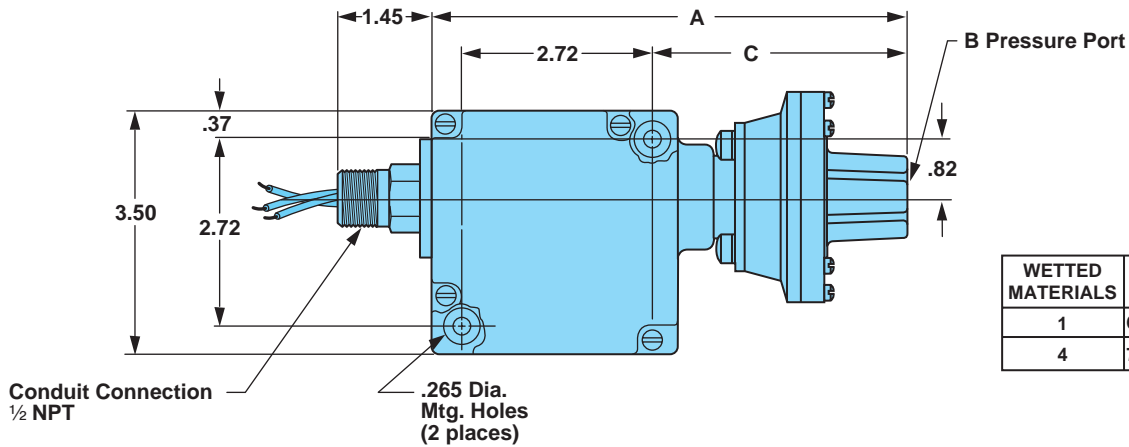
## Ordering Procedure

- When factory presetting is desired, stipulate set point, increasing or decreasing
- Insert available option number or letter designation as required

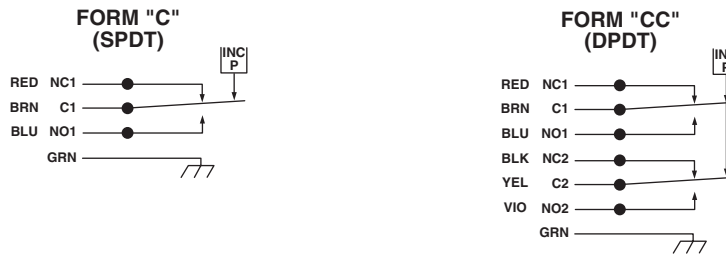
## Example



## Envelope Dimensions



## Electrical Form



## Basic Principles of Design

