

Neo-Dyn® Series 100T Temperature Switch/Internal Adjustment

Direct mount adjustable temperature switch with efficient Nega-Rate® Belleville spring mechanism and saturated vapor sensor for quick response.

Operating Temperature Data

Adjustable Range Number	Adjustable Set Point Range		Deadband† (approx) Bottom/Top		Proof Temperature	
	Increasing °F	Decreasing °F	°F	°C	°F	°C
B	-50 to +65	-69 to +62	19/3	11 / 2	250	121
D	+30 to +175	+7 to +172	23/3	13 / 2	400	204
F	+95 to +250	+70 to +247	25/3	14 / 2	450	232
H	+175 to +360	+145 to +355	30/5	17 / 3	500	260
J	+335 to +500	+305 to +495	30/5	17 / 3	600	315

†Deadband decreases as the adjustable set point is increased. For narrow deadband select set point in upper half of adjustable range.

Standard Specifications

Electrical

Snap action electrical switch recognized by Underwriters' Laboratories, Inc. and CSA International

Electrical Connection

½ NPT female conduit connection with terminal block

Process Connection

½ NPT Male Direct mount

Temperature Range

Ambient: -40°F to +180°F
(-40°C to +82°C)

System Pressure

1500 psig maximum

Proof Pressure

2250 psig

Adjustment

Concealed wrench flat adjustment with range scale

Shipping Weight

Approximately 3 pounds



Weather Proof
(NEMA 4 and 13)

Ordering Sequence — Select desired option for each category

OPTIONS

Wetted Material

3 Steel port with stainless steel probe, Viton seal
NOTE: Range "J" uses Teflon seal

Adjustable Range

B -69°F dec. to +65°F inc. -56°C dec. to 18°C inc.
D +7°F dec. to +175°F inc. -14°C dec. to 79°C inc.
F +70°F dec. to +250°F inc. 21°C dec. to 121°C inc.
H +145°F dec. to +360°F inc. 63°C dec. to 182°C inc.
J +305°F dec. to +500°F inc. 152°C dec. to 260°C inc.

Electrical Form

C 15 amp at 125 or 250 VAC; ¼ hp at 125 VAC; ¼ hp at 250 VAC;
.5 amp resistive, .04 amp inductive at 125 VDC
CC 11 amp, ¼ hp at 125 or 250 VAC; 5 amp resistive, 3 amp inductive 28 at VDC;
.5 amp resistive at 125 VDC
Z 15 amp at 125 or 250 VAC; ¼ hp at 125 VAC; ½ hp at 250 VAC; 1 amp resistive,
.5 amp inductive at 125 VDC

Enclosure

3 Meets or exceeds the requirements of NEMA Type 3, 3R, 3S, 4, 4X and 13

Miscellaneous

A Epoxy paint exterior — extra protection for severe environments
J Annealed stainless steel port screws for H₂S environments
L Neon indicator light — 115 VAC
M Gold electrical contacts for extremely low current applications
P 5-Pin Brad Harrison connector (Reduce AC electrical rating to 8 amps)
(Not for CC3 Electrical)
W Stainless steel screws — exterior
X CE Mark

Special (Consult representative or factory)

- Thermowells
- Non-catalog adjustable range and/or set point and deadband
- Optional probe lengths available

Ordering Procedure

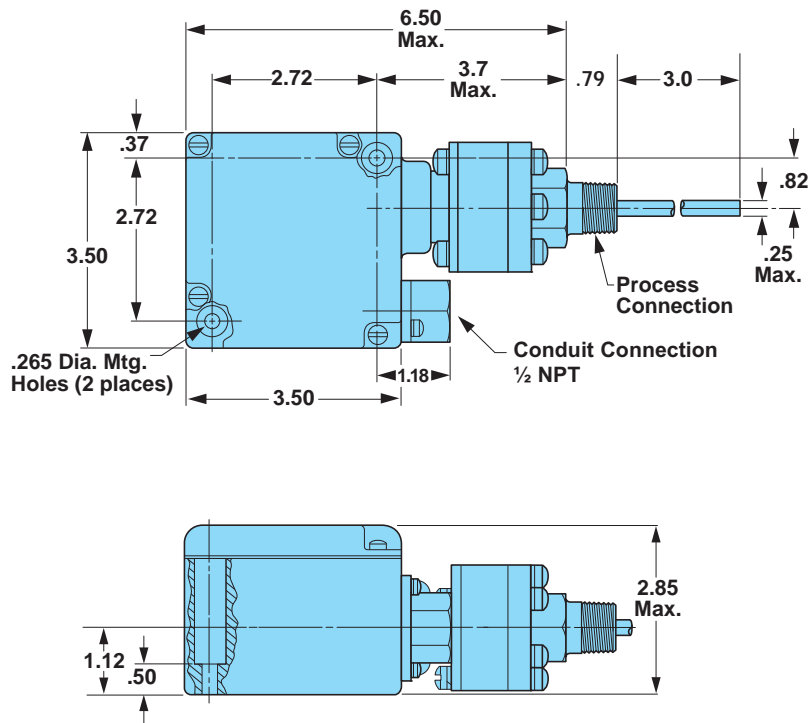
- When factory presetting is desired, stipulate set point, increasing or decreasing
- Insert available option letter designation as required

Example

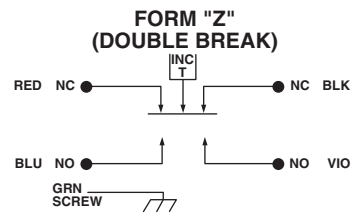
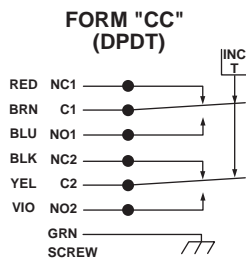
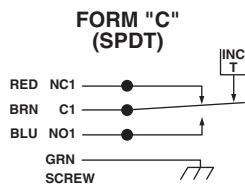
Series
Wetted Material
Adjustable Range
Electrical Form (specify)
Enclosure
Miscellaneous

100T 3B CC3 _

Envelope Dimensions



Electrical Form



Basic Principles of Design

