



1 **EC TYPE-EXAMINATION CERTIFICATE**

2 Equipment intended for use in Potentially Explosive Atmospheres Directive 94/9/EC

3 Certificate Number: **Sira 10ATEX1018X** Issue: **3**

4 Equipment: **100P Range of Pressure Operated Switches**

5 Applicant: **ITT Control Technologies**

6 Address: **28150 Industry Drive
Valencia
California 91355
USA**

7 This equipment and any acceptable variation thereto is specified in the schedule to this certificate and the documents therein referred to.

8 Sira Certification Service, notified body number 0518 in accordance with Article 9 of Directive 94/9/EC of 23 March 1994, certifies that this equipment has been found to comply with the Essential Health and Safety Requirements relating to the design and construction of equipment intended for use in potentially explosive atmospheres given in Annex II to the Directive.

The examination and test results are recorded in the confidential reports listed in Section 14.2.

9 Compliance with the Essential Health and Safety Requirements, with the exception of those listed in the schedule to this certificate, has been assured by compliance with the following documents:

EN 60079-0:2009

EN 60079-1:2007

IEC 60079-31:2008 Ed 1

The above list of documents may detail standards that do not appear on the UKAS Scope of Accreditation, but have been added through Sira's flexible scope of accreditation, which is available on request.

10 If the sign 'X' is placed after the certificate number, it indicates that the equipment is subject to special conditions for safe use specified in the schedule to this certificate.

11 This EC type-examination certificate relates only to the design and construction of the specified equipment. If applicable, further requirements of this Directive apply to the manufacture and supply of this equipment.

12 The marking of the equipment shall include the following:



II 2 G D

Ex d IIB T6 Gb

Ex tb IIIC T85°C Db IP6X

Project Number 70040099

C Ellaby
Deputy Certification Manager

This certificate and its schedules may only be reproduced in its entirety and without change.

Sira Certification Service
Unit 6, Hawarden Industrial Park,
Hawarden, CH5 3US, United Kingdom



SCHEDULE

EC TYPE-EXAMINATION CERTIFICATE

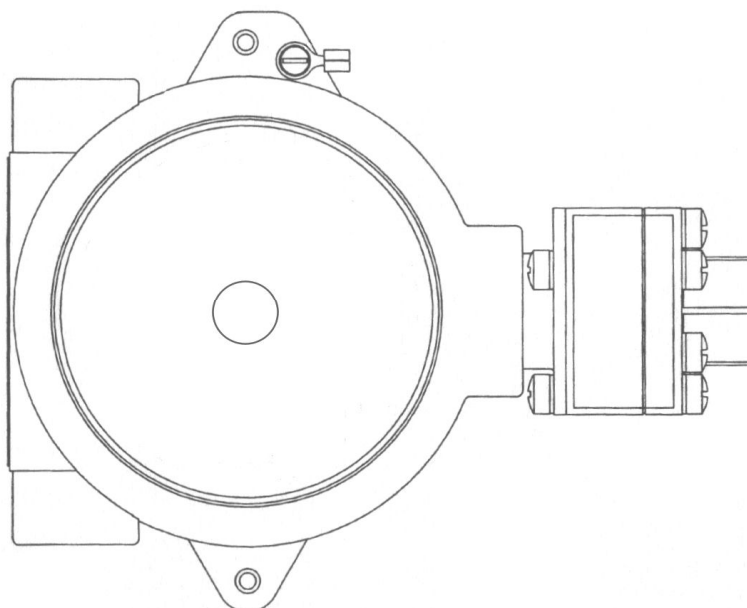
Sira 10ATEX1018X
Issue 3

13 DESCRIPTION OF EQUIPMENT

The 100P Range of Pressure Operated Switches are pressure-Operated switches that are activated by a Belleville spring that snaps at a pre-determined force. They comprise a cylindrical, spring assembly mounted to a Killark Type HKB-BC enclosure both manufactured from aluminium. The spring assembly contains the Belleville spring and its associated operators. The Killark enclosure as detailed in certificate no, DEMKO 01ATEX015742U, contains an electrical switch and associated terminals. Connection to external circuits is via either of two 3/4"-14 NPT threaded cable entry points.

Variants.

Part No.	Description.
100P**C	- 480 V ac, 15 A; 125 V dc, 0.5 A RES, 0.04A IND
100P**CC	- 250 V ac, 11 A; 125 V dc, 0.5 A; 28 V dc, 3 A IND
100P**Z	- 480 V ac, 15 A; 125 V dc, 1 A RES, 0.5A IND
100P**C(M)	- 125 V ac, 1 A
100P**CC(M)	- 125 V ac, 1 A



Drawing of a 100P Pressure Operated Switch.

Variation 1 - This variation introduced the following change:

- i. The recognition of the correct status of a previously certified drawing; this amendment is administrative and no technical modifications are involved.



SCHEDULE

EC TYPE-EXAMINATION CERTIFICATE

**Sira 10ATEX1018X
Issue 3**

Variation 2 - This variation introduced the following change:

- i. Minor drawing amendments to drawing number AD100P***7 sheet 1 of 3 to:
 - Update of component enclosure certificate number.
 - Include the ATEX Notified Body number 0518.
 - Reflect required marking detail and the introduction of a Special Condition for Safe Use.
- ii. Revision to product description to clarify the:
 - Correct component enclosure type reference.
 - Complete equipment ratings.
- iii. The reference to ITT Control Technologies, 242 Building, Ave Washngton No 3701, Edif. 8, Parque Industrial Las Americas, Chihuahua, Mexico was removed from the Applicant on page 1.

Variation 3 - This variation introduced the following change:

- i. The applicant's name was changed from ITT Control Technologies to ITT Aerospace Controls.

14 DESCRIPTIVE DOCUMENTS

14.1 Drawings

Refer to Certificate Annexe.

14.2 Associated Sira Reports and Certificate History

Issue	Date	Report no.	Comment
0	1 July 2010	R18834A/00	The release of prime certificate.
1	23 December 2010	R23968A/00	The introduction of Variation 1.
2	17 May 2013	R29733A/00	The introduction of Variation 2.
3	13 August 2015	R70040099B	The introduction of Variation 3.

15 SPECIAL CONDITIONS FOR SAFE USE (denoted by X after the certificate number)

- 15.1 The setscrew that secures the threaded cover shall only be replaced with a 0.138-32 UNC-2A (6-32) socket head cap screw, 300 Series CRES or CAD plated Grade 5 steel.
- 15.2 The 100P Range of Pressure Operated Switches is suitable for use within an ambient temperature range of -40°C to +75°C.

16 ESSENTIAL HEALTH AND SAFETY REQUIREMENTS OF ANNEX II (EHSRs)

The relevant EHSRs that are not addressed by the standards listed in this certificate have been identified and individually assessed in the reports listed in Section 14.2.

17 CONDITIONS OF CERTIFICATION

- 17.1 The use of this certificate is subject to the Regulations Applicable to Holders of Sira Certificates.
- 17.2 Holders of EC type-examination certificates are required to comply with the production control requirements defined in Article 8 of directive 94/9/EC.

This certificate and its schedules may only be reproduced in its entirety and without change.

Sira Certification Service
Unit 6, Hawarden Industrial Park,
Hawarden, CH5 3US, United Kingdom

Certificate Annexe



Certificate Number: Sira 10ATEX1018X
Equipment: 100P Range of Pressure Operated Switches
Applicant: ITT Control Technologies

Issue 0

Drawing	Sheets	Rev.	Date (Sira stamp)	Title
AD100P***7	1 of 3	C	03 Jun 10	100P Pressure Switches Enc 7
AD100P***7	2 of 3	C	26 Feb 10	100P Pressure Switches Enc 7
AD100P***7	3 of 3	C	26 Feb 10	100P Pressure Switches Enc 7

Issue 1

Drawing	Sheets	Rev.	Date (Sira stamp)	Title
AD100P***7	1 to 3	D	20 Dec 10	100P Pressure Switches Enc 7

Note: The drawing introduced under this Issue replaces the previous version approved in Issue 0.

Issue 2

Drawing	Sheets	Rev.	Date (Sira stamp)	Title
AD100P***7	1 to 3	H	8 Apr 13	100P Pressure Switches Enc 7

Issue 3 No new drawings were introduced.

This certificate and its schedules may only be reproduced in its entirety and without change.