

Neo-Dyn® Series 200P Pressure Switch/Internal Adjustment

Versatile Nega-Rate® Belleville spring adjustable pressure switch for hydraulic applications up to 10,000 psig system pressure. Unit has been designed for Division 2 explosion proof environments and is weather proof, making it suitable for all of your Division 2 applications.

Operating Pressure Data

Adjustable Range Number	Adjustable Set Point Range		Deadband† (approximate)		Maximum Recommended System Pressure	Proof Pressure
	Increasing	Decreasing	Min.	Max.		
2	20 to 220	14 to 202	6	18	3000	4500
3	200 to 1500	150 to 1275	50	225	7500	10000
6	500 to 3000	375 to 2700	125	300	7500	10000
8	1000 to 10000	800 to 9000	200	1000	10000	15000

All values given in psig.

†The deadband increases as the adjustable set point is increased.

Standard Specifications

Electrical

Snap action electrical switch listed by Underwriters Laboratories, Inc. and CSA

Electrical Connection

¾" - 14 NPT female conduit connection with terminal block and ground screw

Pressure Connection

Wetted Material 1
¼" - 18 NPT Female

Temperature Range

Ambient:

11 amp T4 -40°F to +165°F
(-40°C to +74°C)

5 amp T5 -40°F to +180°F
(-40°C to +82°C)

5 amp T6 -40°F to +172°F
(-40°C to +78°C)

M Option:

1 amp T6 -40°F to +180°F
(-40°C to +82°C)

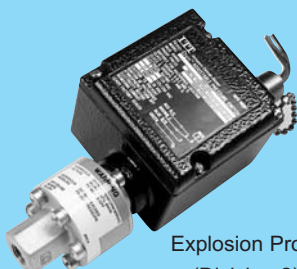
Media: -40°F to +300°F
(-40°C to +149°C)

Adjustment

Concealed wrench flat adjustment with range scale

Shipping Weight

Approximately 3 pounds



Explosion Proof
(Division 2)

Ordering Sequence — Select desired option for each category

OPTIONS

Wetted Material

1 Aluminum port and piston, Teflon seal and Buna-N O-Ring

Adjustable Range

2 14 psig dec. to 220 psig inc. (1.0 bar dec. to 15.2 bar inc.)
3 150 psig dec. to 1500 psig inc. (10.3 bar dec. to 103.4 bar inc.)
6 375 psig dec. to 3000 psig inc. (25.9 bar dec. to 206.9 bar inc.)
8 800 psig dec. to 10000 psig inc. (55.2 bar dec. to 689.5 bar inc.)

Electrical Form

C 11 amps and ¼ hp 125 or 250 VAC; 5 amps resistive, 3 amps inductive 28 VDC;
.5 amps resistive 125 VDC
CC 11 amps and ¼ hp 125 or 250 VAC; 5 amps resistive, 3 amps inductive 28 VDC;
.5 amps resistive 125 VDC

Enclosure

5 Hermetically sealed (explosion proof for all Division 2 hazardous locations)

Miscellaneous

A Epoxy paint exterior — extra protection for severe environments
B Viton O-Ring
C EPR O-Ring
E ⅜" - 20 SAE port (Contact factory for reduced operating and system pressures)
M Gold electrical contacts for extremely low current applications

Special (Consult representative or factory)

- Non-catalog adjustable range and/or set point, deadband and proof pressure
- Operating temperature capability from -65°F to +400°F
- Chemical seals installed

Ordering Procedure

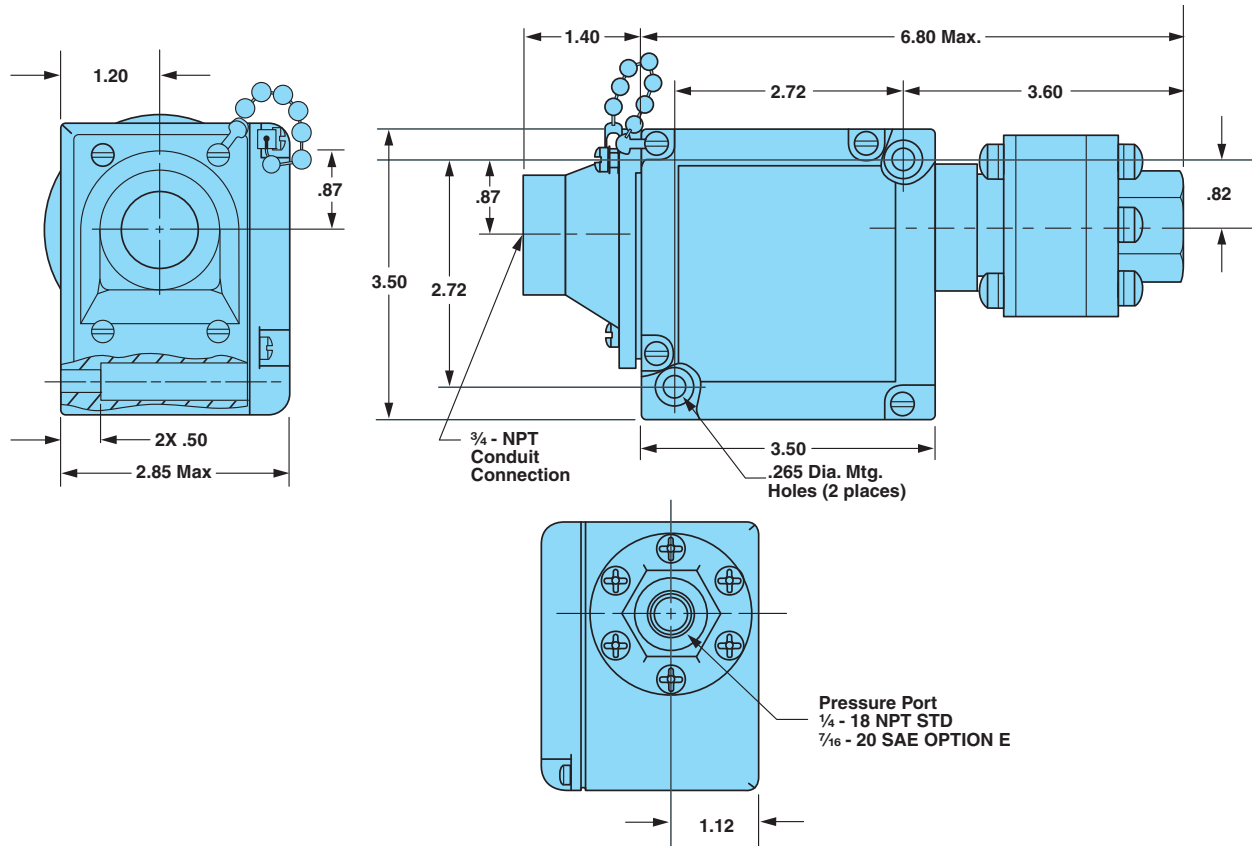
- When factory presetting is desired, stipulate set point, increasing or decreasing
- Insert available option number or letter designation as required

Example

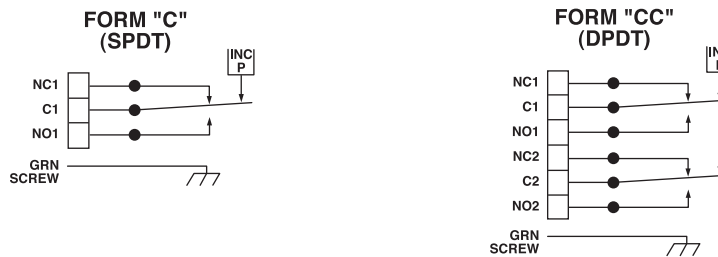
Series
Wetted Material
Adjustable Range
Electrical Form
Enclosure
Miscellaneous

200P 12 C 5 _

Envelope Dimensions



Electrical Form



Basic Principles of Design

