

# SERIES 174P

## Pressure Switch

### DESCRIPTION

Factory set/tamper proof rugged all 316 stainless steel construction 'Nega-Rate' Belleville spring pressure switch. Hermetically sealed enclosure



### OPERATING PRESSURE DATA

Increasing	Fixed Set-Point Range	Decreasing	Maximum Recommended System Pressure	Proof Pressure
8 to 2500		5 to 2250	Up to 4500	Up to 6000

All values given in psig

### STANDARD SPECIFICATIONS

#### Deadband (differential)

The deadband can be selected anywhere from 3 psig or 10% (whichever is greater) to 35% of the set-point

#### Electrical

Snap action electrical switch listed by Underwriters' Laboratories, Inc. and CSA Testing Laboratories

#### Electrical Connection

1/2"-14 NPT male conduit connection with PVC insulated 18 AWG leads 18" long

#### Pressure Connection

1/2"-14 NPT male

#### Temperature Range

Ambient/Media -30°F to +160°F  
 -34°C to +71°C

#### Shipping Weight

Approximately 1 pound

### ORDERING SEQUENCE — Select desired option for each category

#### OPTIONS

##### Wetted Material

5 316 stainless steel port and diaphragm heliarc welded

##### Electrical Form

C 5 amps 125, 250 VAC; 5 amps resistive 3 amps inductive 28 VDC  
 CC 5 amps 125, 250 VAC; 5 amps resistive 3 amps inductive 28 VDC

##### Enclosure

5 Hermetically sealed (explosion proof for all Division 2 hazardous locations)

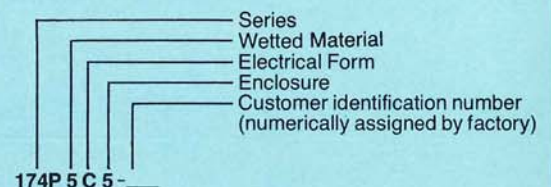
#### Special (Consult representative or factory)

- Ambient temperature capability up to 500°F
- Media temperature capability up to 700°F
- 11 amp 125, 250 VAC electrical rating
- Gold electrical contacts for extremely low current applications

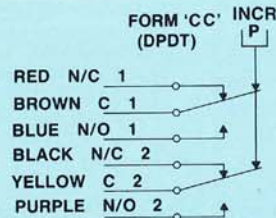
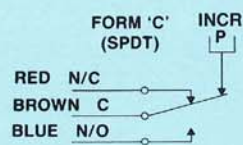
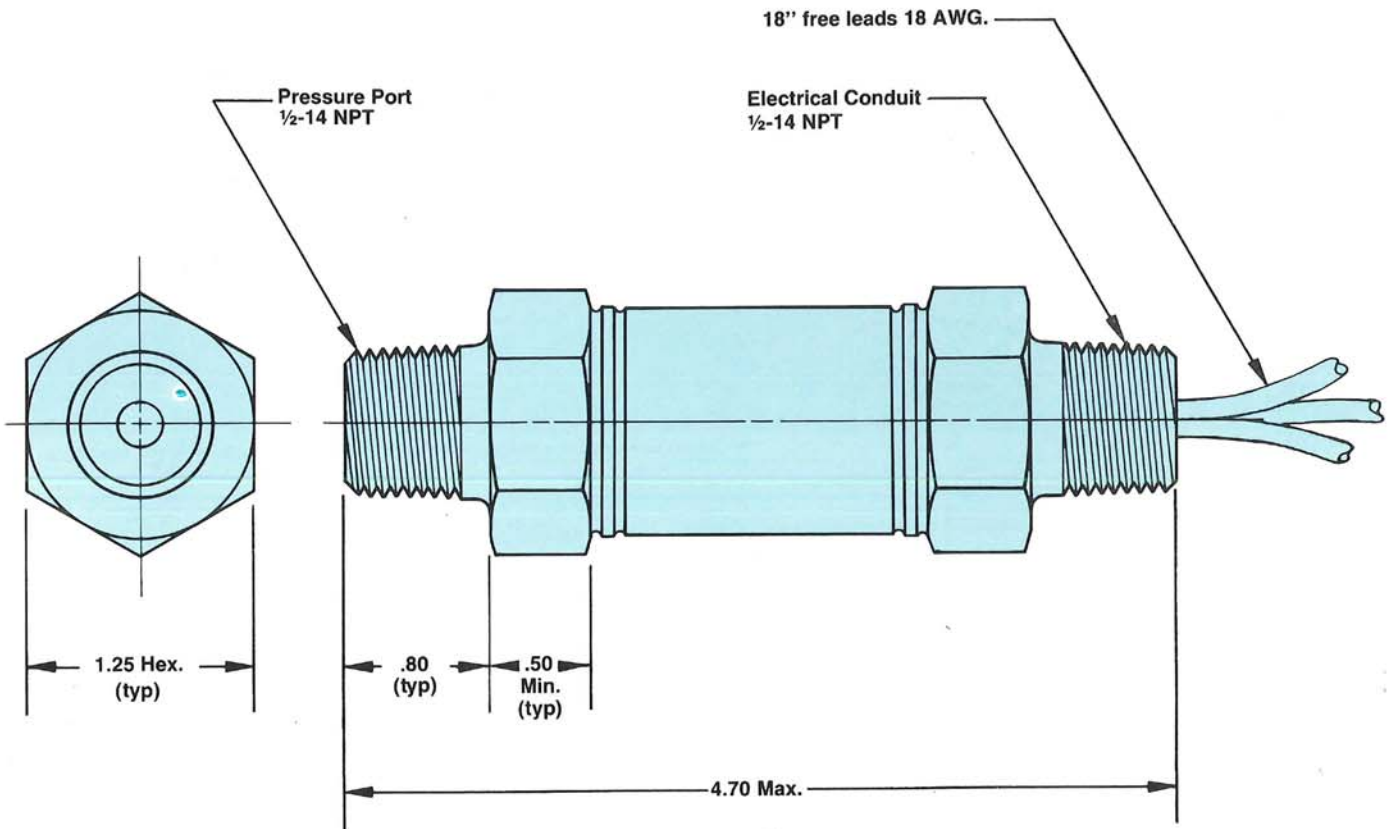
### ORDERING PROCEDURE

- Specify set point, increasing or decreasing
- Specify deadband if pertinent and if not, specify as 'open'
- Specify media
- Insert available 'Option' number or letter designation as required

### EXAMPLE



Envelope Dimensions



Basic Principles of Design

