

Neo-Dyn® Series 163P Differential Pressure Switch

Hermetically sealed differential pressure switch. Has efficient Nega-Rate® Belleville disc spring sensing mechanism. Settings not affected by system pressure changes.

Operating Pressure Data

Fixed Set Point Range		Maximum Recommended System Pressure	Proof Pressure		
Increasing	Decreasing		Simultaneous	High/Low	Low/High
3.0 to 80 psid	1.5 to 70 psid	Up to 350	500	500	500

All values given in psig unless otherwise stipulated.

Standard Specifications

Deadband (Differential)

The deadband can be selected anywhere from 1.5 psi or 15% (whichever is greater) to 45% of the set point.

Electrical

Snap action electrical switch listed by Underwriters' Laboratories, Inc. and CSA

Electrical Connection

½" - 14 NPT male conduit connection with PVC insulated 18 AWG leads 18" long

Pressure Connections

¼" - 18 NPT Female

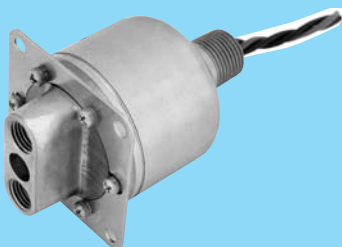
Temperature Range

Ambient: -30°F to +160°F
(-34°C to +71°C)

Media: -30°F to +160°F
(-34°C to +71°C)

Shipping Weight

Approximately 1 pound



Ordering Sequence — Select desired option for each category

OPTIONS

Wetted Material

- 1 Aluminum ports, 300 Series stainless steel body, Teflon coated polyimide diaphragm, Buna-N O-Rings
- 2 Brass ports, 300 Series stainless steel body, Teflon coated polyimide diaphragm, Buna-N O-Rings

Electrical Form

- C 11 amps and ¼ hp 125 or 250 VAC

Enclosure

- 5 Hermetically sealed (explosion proof for all Division 2 hazardous locations)

Miscellaneous

- A Epoxy paint exterior — extra protection for severe environments
 B Viton O-Rings
 C EPR O-Rings
 M Gold electrical contacts for extremely low current applications
 R 72" Electrical free leads

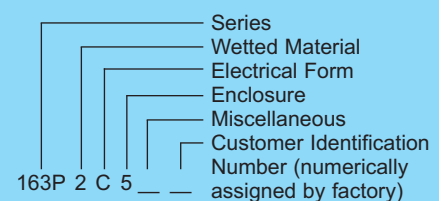
Special (Consult representative or factory)

- Pressure ports per MS33649-04
- Electrical connection per MS33678-10SL-3P
- Non-catalog set point, deadband and/or proof pressure
- Operating temperature capability from -65°F to +350°F

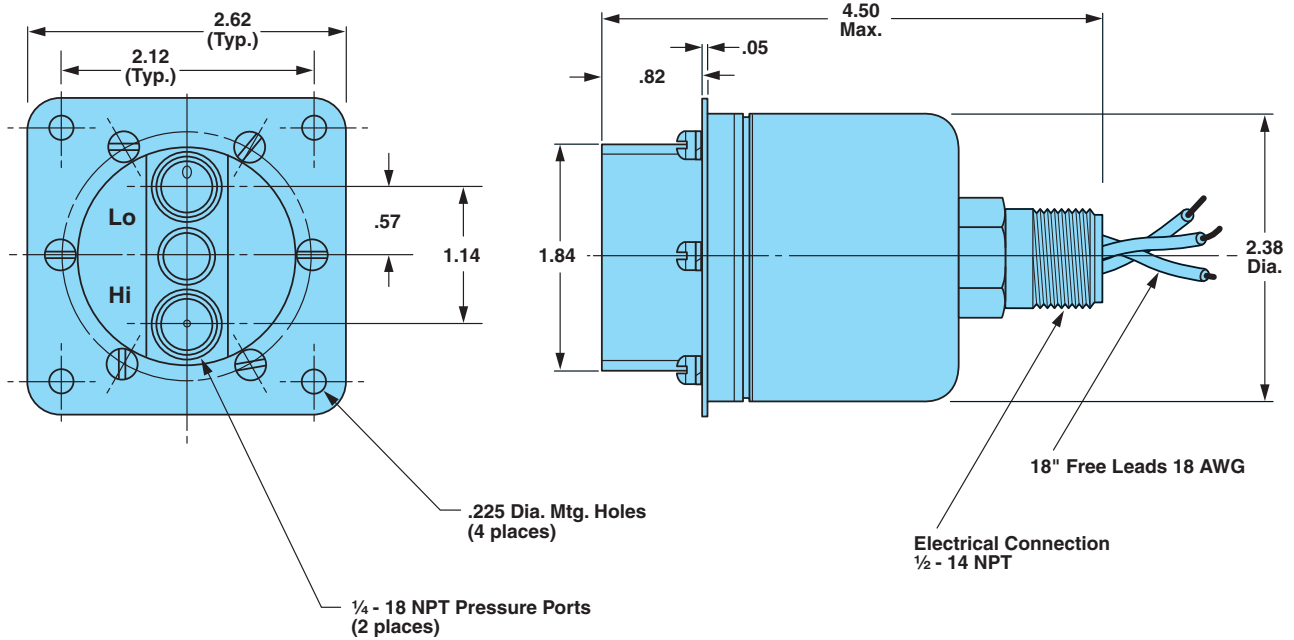
Ordering Procedure

- Specify set point, increasing or decreasing
- Specify deadband if pertinent and if not, specify as 'open'
- Specify system pressure
- Specify media
- Insert available option number or letter designation as required

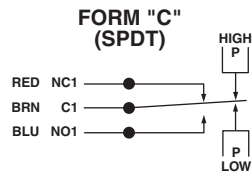
Example



Envelope Dimensions



Electrical Form



Basic Principles of Design

