

Neo-Dyn® Series 132D Pressure Switch/Dual Set Point

Dual adjustable set point pressure switch for low to mid-range process applications. Efficient Nega-Rate® Belleville disc spring for set point stability and vibration resistance. Stainless steel wetted materials, hermetically sealed explosion-proof electricals and the integral junction box with terminal block makes this the ideal switch for your hazardous location applications.

Operating Pressure Data

Adjustable Range Number	Adjustable Set Point Range		Deadband (approximate)	Maximum Recommended System Pressure	Proof Pressure
	Increasing	Decreasing			
8	3 to 30	1 to 28	2	1350	2000
9	20 to 80	15 to 75	5	1350	2000
1	50 to 250	30 to 230	20	5000	7500
2	200 to 400	175 to 375	25	5000	7500
4	375 to 725	330 to 680	45	5000	7500
6	700 to 1500	620 to 1420	80	5700	7500
7	1500 to 2300	1400 to 2200	100	5700	7500

All values given in psig.

Standard Specifications

Electrical

Snap action electrical switch listed by Underwriters Laboratories, Inc., Factory Mutual and CSA International.

Electrical Connection

¾ NPT female conduit connection with terminal block

Pressure Connection

¼ NPT Female

Temperature Range

Ambient: -40°F to +180°F
(-40°C to +82°C)

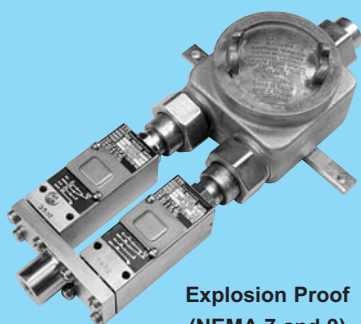
Media: -40°F to +250°F
(-40°C to +121°C)

Adjustment

Internal, slotted adjustment nuts with range scales

Shipping Weight

Approximately 8 pounds



Explosion Proof
(NEMA 7 and 9)

Ordering Sequence — Select desired option for each category

OPTIONS

Wetted Material

5 316 stainless steel port and diaphragm heliarc welded

Adjustable Range

8 1 psig dec. to 30 psig inc. (.07 bar dec. to 2.1 bar inc.)
9 15 psig dec. to 80 psig inc. (1.0 bar dec. to 5.5 bar inc.)
1 30 psig dec. to 250 psig inc. (2.1 bar dec. to 17.2 bar inc.)
2 175 psig dec. to 400 psig inc. (12.1 bar dec. to 27.6 bar inc.)
4 330 psig dec. to 725 psig inc. (22.8 bar dec. to 50.0 bar inc.)
6 620 psig dec. to 1500 psig inc. (42.7 bar dec. to 103.4 bar inc.)
7 1400 psig dec. to 2300 psig inc. (96.5 bar dec. to 158.6 bar inc.)

Electrical Form

C 11 amp, ¼ hp at 125/250 VAC; 5 amp resistive, 3 amp inductive 28 VDC; .5 amp resistive at 125 VDC

Enclosure

6 Explosion proof, hermetically-sealed electrical assembly, leads factory sealed, P/N 057-0770 (C Form); **Underwriters Laboratories, Inc.** listed (File E56677) or **CSA International** certified (File LR34146), and **Factory Mutual** approved (File J.I.1R5A9.AE) for Division 1 and 2; Class I, Groups C and D; Class II, Groups E, F and G Hazardous Locations; NEMA Type 4X, 7, 9 and 13

Miscellaneous

A Epoxy paint exterior — extra protection for severe environments
E 7/16" - 20 SAE port
G ½ NPT female port
H 316 Stainless steel body (switches only)
J Annealed stainless steel port screws for H₂S environments — Consult factory for reduced system and proof pressure ratings
M Gold electrical contacts for extremely low current applications
O Oxygen clean

Ordering Procedure

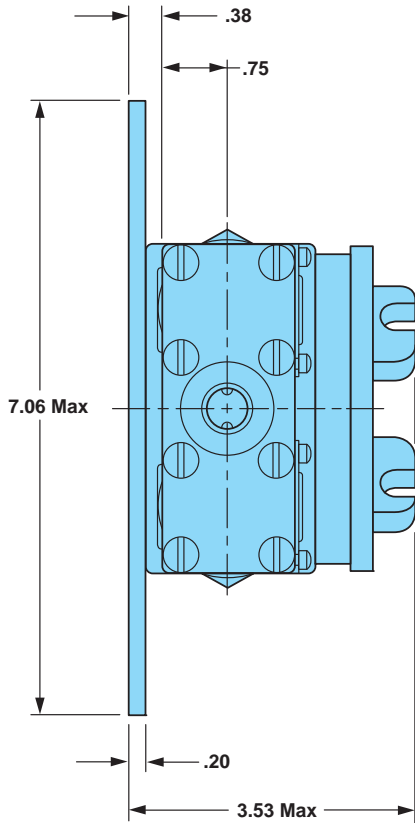
- When factory presetting is desired, stipulate set points, increasing or decreasing
- Insert available option number or letter designation as required

Example

Series
Wetted Material
Range for S1
Range for S2
Enclosure
Miscellaneous

132D 5 1 6 C6 _

Envelope Dimensions



Electrical Form

